



# Installation Instructions Tigertop

Vehicle Application:  
Jeep® CJ2A 1946-1948  
Jeep® MB 1941-1945

## Installation Tips

Before you begin installing your new Tigertop, please read all the instructions thoroughly.

**WARNING** Do not rely in any way on the components of this product to protect against injury or death in the event of an accident. Never operate the vehicle in excess of manufacturer's specifications.

Read and follow, precisely, all installation instructions provided when installing this product. Failure to do so may result in a poor fit and could place occupants of the vehicle in a potentially dangerous situation.

For easier installation, the top should be installed at a temperature above 72° F. Below this temperature, the fabric may contract making it difficult to fit the vehicle.



**CAUTION** Safety glasses should be worn at all times when installing this product.

**WEAR SEAT BELTS AT ALL TIMES**

Tools				Installation Time	Support
Safety Glasses	Center Punch	Pencil	Tape Measure	3 Hours	We're here to help! Go to <a href="http://www.Bestop.com">www.Bestop.com</a> and click on "Need Help?"
Hammer	Adjustable Wrench	#2 Phillips Screwdriver		<b>Skill Level</b>	
3/32", 1/8", 5/32", 3/16" and 3/8" Drill Bits	Power Drill	Chalk	Slotted Screwdriver	 3 - Moderately Difficult	



## Installation Instructions Tigertop

Vehicle Application:  
Jeep® CJ2A 1946-1948  
Jeep® MB 1941-1945

### Sugerencias de Instalación

**Antes de empezar a instalar esta unidad, lea atentamente todas las instrucciones.**

**Para un buen ajuste:**

Para facilitar la instalación, el producto debe instalarse a temperaturas superiores a 72 °F (22 °C).

Por debajo de esta temperatura, la tela puede encogerse una pulgada o más, lo que dificultaría su ajuste al vehículo.

Es normal que la tela se contraiga o arrugue cuando está guardada en la caja de empaque. A los pocos días después de la instalación, la tela se relajará y las arrugas desaparecerán.



#### ADVERTENCIA

Este producto se diseñó principalmente para mejorar la apariencia del vehículo y proteger a los ocupantes de las condiciones climáticas comunes. De ninguna manera piense que los componentes de este producto pueden servir como medio de contención para los ocupantes del vehículo o que pueden protegerlos contra lesiones o la muerte en caso de accidente. Este producto no protegerá a los ocupantes contra caídas de objetos. Nunca conduzca este vehículo fuera de las especificaciones del fabricante.

#### USE LOS CINTURONES DE SEGURIDAD EN TODO MOMENTO

Lea y siga con precisión todas las instrucciones de instalación que se proporcionan para instalar este producto. Si no lo hace, podría producirse un mal ajuste que colocaría a los ocupantes del vehículo en una situación potencialmente peligrosa.



#### PRECAUCIÓN

Debe usar gafas protectoras en todo momento durante la instalación de este producto.

### Conseils pour l'installation

**Lire toutes les instructions au complet avant de commencer l'installation de cet assemblage.**

**Pour un ajustement sans problème :**

Afin de faciliter l'installation, ce produit doit être installé à des températures au-dessus de 72 °F (22 °C).

Sous cette température, le tissu peut rétrécir d'un pouce (2,5 cm) ou plus, ce qui rendra l'ajustement sur le véhicule difficile.

Il est normal que le tissu rétrécisse et plisse pendant qu'il est dans la boîte d'expédition. En quelques jours après l'installation, le tissu se détendra et les plis disparaîtront.



#### AVERTISSEMENT

Ce produit est conçu principalement pour améliorer l'apparence du véhicule et pour protéger les occupants des conditions météorologiques usuelles. Ne jamais se fier aux composants de ce produit pour se protéger de blessures ou de la mort en cas d'accident. Ce produit ne protégera pas les occupants des chutes d'objets. Ne jamais utiliser le véhicule au-delà des caractéristiques techniques indiquées par le fabricant.

#### PORTER UNE CEINTURE DE SÉCURITÉ EN TOUT TEMPS

Lire et suivre, très fidèlement, toutes les instructions d'installation fournies lors de l'installation de ce produit. Ne pas suivre cette consigne peut causer une installation inadéquate et mettre les occupants du véhicule dans une situation potentiellement dangereuse.



#### MISE EN GARDE

Des lunettes de sécurité doivent être portées en tout temps lors de l'installation de ce produit.



Windshields are sometimes interchanged on older model vehicles. The vehicle's windshield and body style are the key factors that determine which convertible top model number fits a particular vehicle. These diagrams will help you identify your vehicle to determine which top you need.

Fig. 1 CJ2A, 1946-1948 A: 25"  
MB, 1941-1945 A: 23"

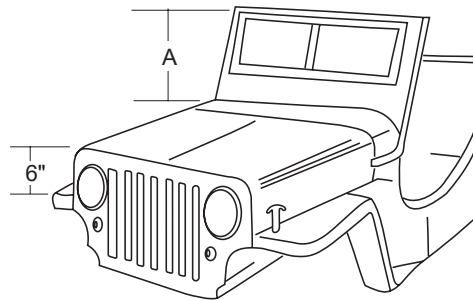


Fig. 2 CJ3A, 1949-1953  
M38, 1950-1951

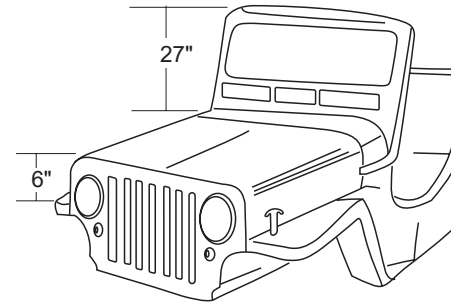


Fig. 3 CJ3B, 1953-1964

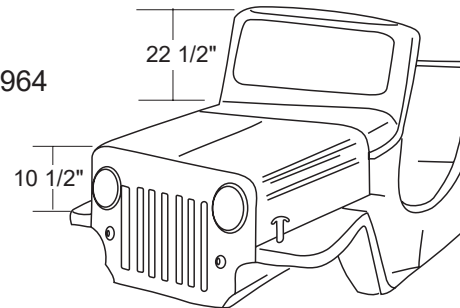
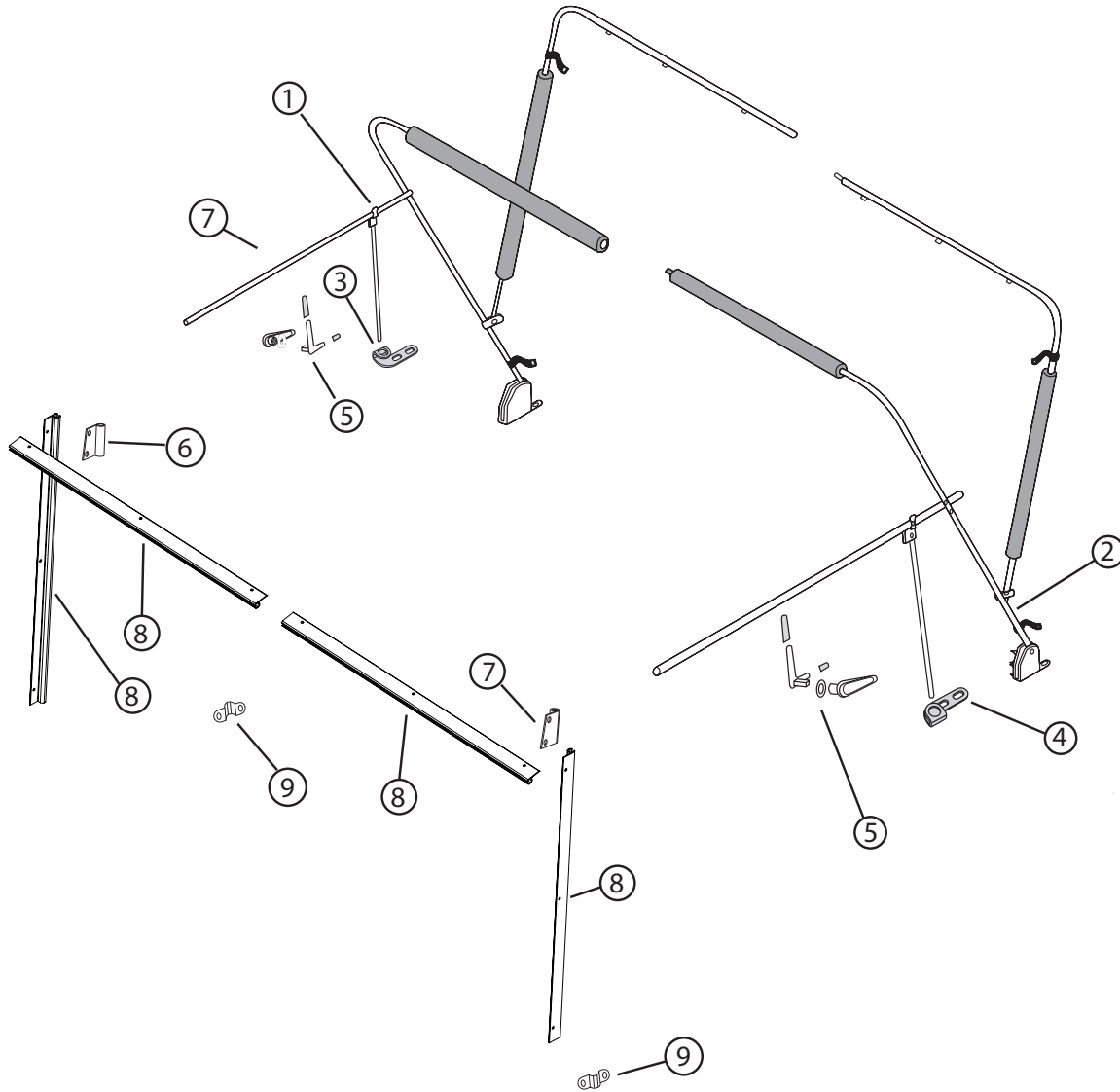


Fig. 1 & 2 These models have interchangeable windshields. Regardless of vehicle model number, style of windshield determines which top will fit the vehicle.

CJ2A and MB models have a windshield frame of round tubular steel. Frame corners are square, glass is in two pieces.

CJ3A and M38 models have a frame made of rectangular steel tubing with rounded corners and a one piece windshield glass.

Fig. 3 The CJ3B has a higher hood than older models. The windshield is made of rectangular steel tubing with one piece glass.

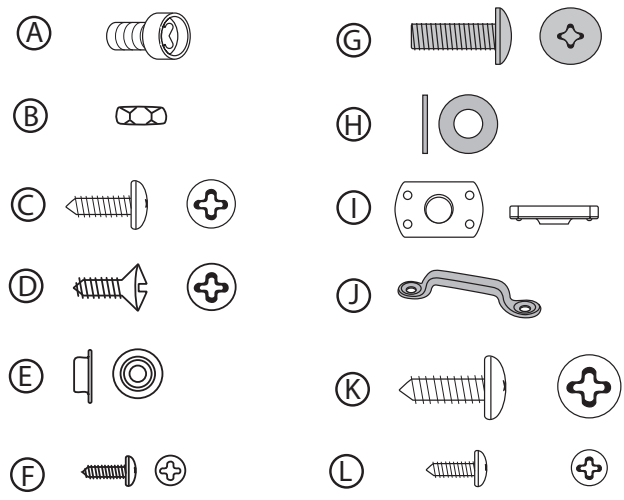


**NOT SHOWN**

Description	Quantity
Top Fabric	1
Door, Right	1
Door, Left	1
Buckle Straps	2
Windshield Riser	1

**Description Part # Quantity**

1	Bow Assembly - Right	242.52	1
2	Bow Assembly - Left	242.53	1
3	Vertical Retainer Mount - Right	229.24	1
4	Vertical Retainer Mount - Left	229.25	1
5	Handle Kit	185.23	1
6	Upper Door Hinge - Right	1.36	1
7	Upper Door Hinge - Left	1.37	1
8	Retainers	242.63	4
9	Lower Door Hinge	12.41	2
A	Body Stud	151.81	4
B	#10 - 32 Hex Nut	151.82	4
C	#10 x 1/2" Pan Head Screw	1.92	10
D	#10 x 1/2" Oval Head Screw	155.49	4
E	Body Stud	9.68	24
F	#6 x 3/8" Sheet Metal Screw	9.69	24
G	5/16" - 18 x 1" Phillips Head Bolt	236.20	4
H	5/16" Washer	233.04	4
I	5/16" Tapping Plate	200.50	4
J	Footman Loop	272.29	2
K	#14 x 1/2 Sheet Metal Screw	243.47	8
L	#8 x 1/2 Sheet Metal Screw	200.48	12





**WARNING**

Regardless of what type of hardware you currently have on your vehicle, it is extremely important that you only use the hardware found in this Convertible Top kit. This Convertible Top cannot be used with your existing hardware.

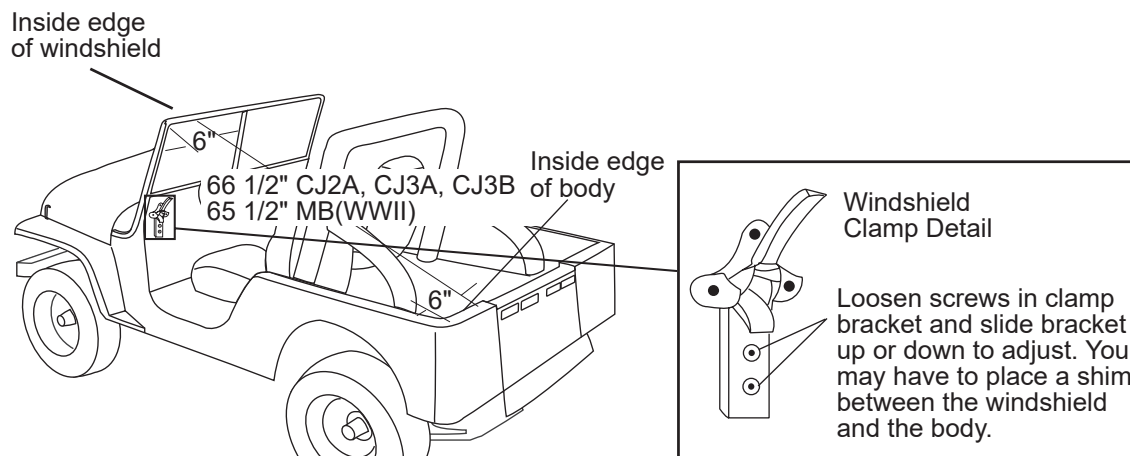
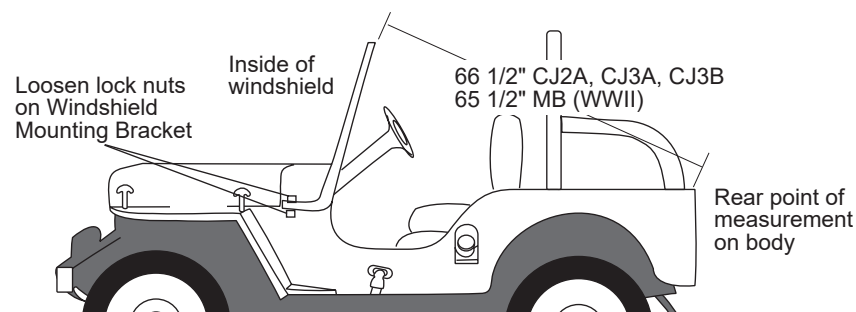
This is the first step you must take in the installation process and it is also the most important one. Improper windshield adjustment results in poor fitting of both the top and the doors, as well as misalignment of snaps.

**Windshield Measurement**

Measure and record the distance from the top inside edge of the windshield to the rear inside edge of the vehicle body, not the tailgate. Take the measurement from approximately six inches inside the vehicle's doors. Check to make sure that both sides measure equally. To install this top properly, this measurement must be 66 1/2 inches (CJ2A) or 65 1/2 inches (MB).

If necessary, adjust your windshield by loosening the screws in the Windshield Mounting Bracket and by loosening the Windshield Clamps and adjusting the clamp bracket. You may then lean the windshield forward or back as necessary. Use a shim to fix the windshield in place if it remains loose after you tighten the screws.

**NOTE** The CJ2A has no existing Windshield Mounting Bracket. To adjust the windshield, loosen the Windshield Clamps, bend the arms and retighten the clamps.



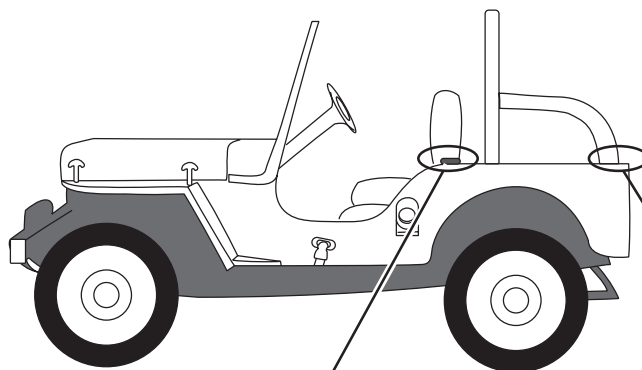


### CAUTION

When drilling in the top edge of the vehicle body, check underneath for wiring for the rear lights. Pull the wiring out of the way before drilling.

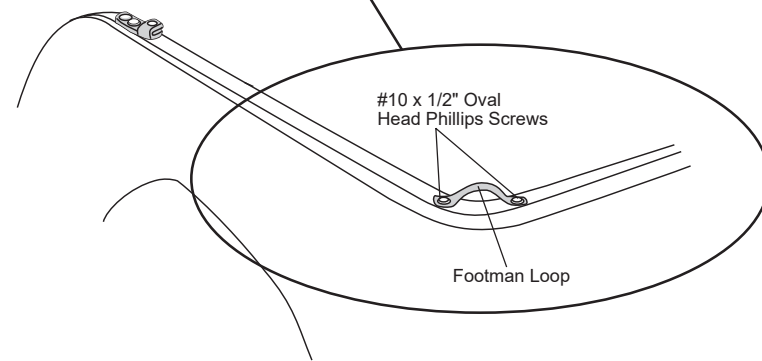
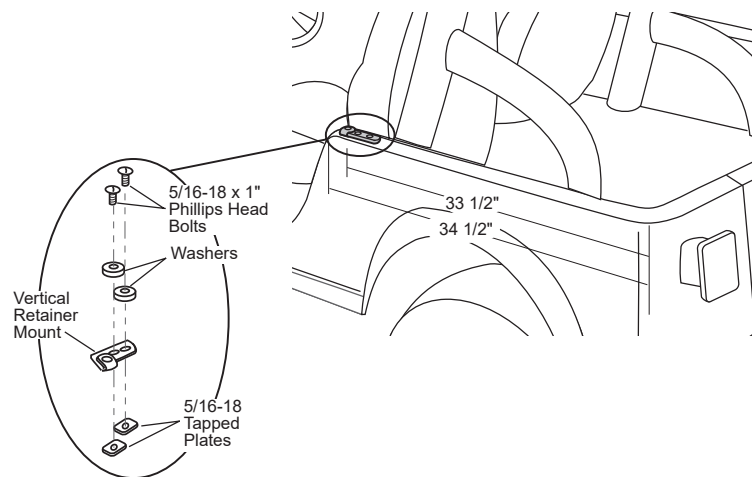
### 1 Install Vertical Retainer Mounts

Measure 33 1/2 inches and 34 1/2 inches along the top edge of the body from the outside rear of the body. Mark these locations with a pencil on the top edge of the body. Center punch the marked locations and drill a 3/8 inch hole at each location. Install the mounts using two 5/16-18 x 1" Phillips Head Bolts, two Washers and two 5/16-18 Tapped Plates. Repeat this procedure on the opposite side of the vehicle. The mounts may need to be loosened later to adjust the Vertical Retainer position.



### Install Footman Loops

Install the Footman Loops on the top rear corners of the vehicle. Use the loops as templates to mark, center punch and drill 5/32 inch holes. Use two #10 x 1/2" Oval Head Phillips Screws to secure the loops in place.



**! WARNING**

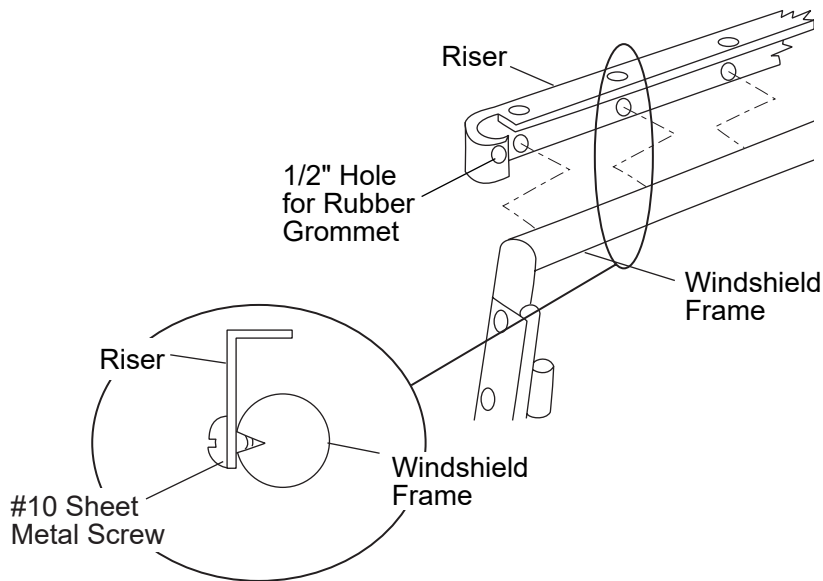
A loose Windshield Retainer may allow the top to disengage from the windshield, causing damage to the top and possible injury to the occupants of the vehicle. Make certain that the Windshield Retainer is securely fastened to the windshield at the time of first installation. Check the tightness of the mounting screws every three months. Do not over tighten.

**Install Windshield Riser**

**For MB, 1941-1945 models or CJ2A with low windshield, a riser is required to extend the height. Other vehicles skip to Step 6.**

Locate the Riser over the top of the windshield frame. Use the Riser as a template and drill 1/8 inch holes to correspond with the holes in the Riser. Fasten the riser into place using the #10 Sheet Metal Screws.

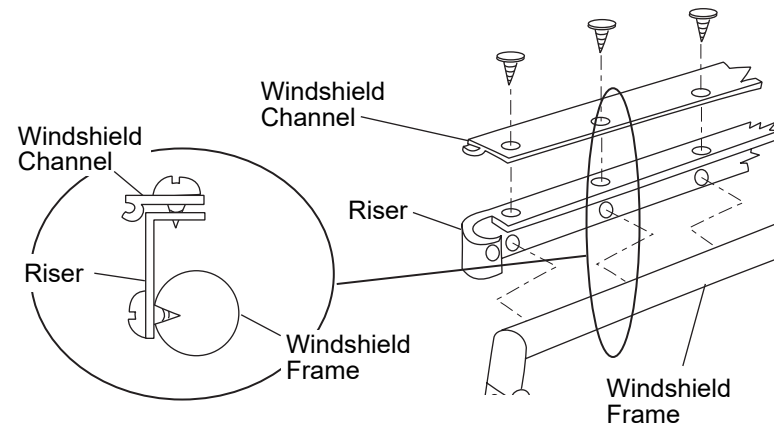
Insert the two rubber grommets into the 1/2" diameter holes in the Riser. These holes are for the Horizontal Rods provided with the top.



**Install Windshield Channel**

**For MB, 1941-1945 models or CJ2A with low windshield.**

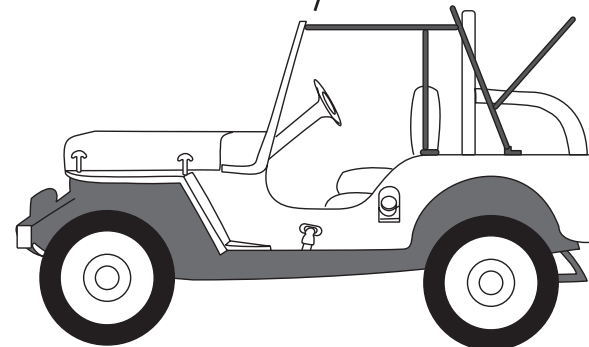
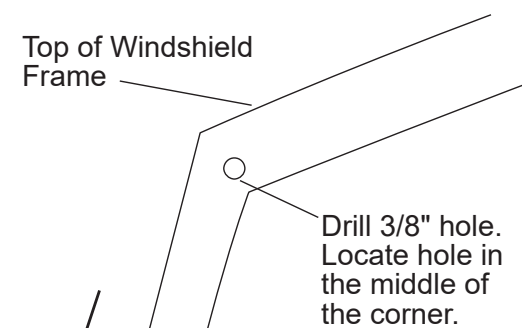
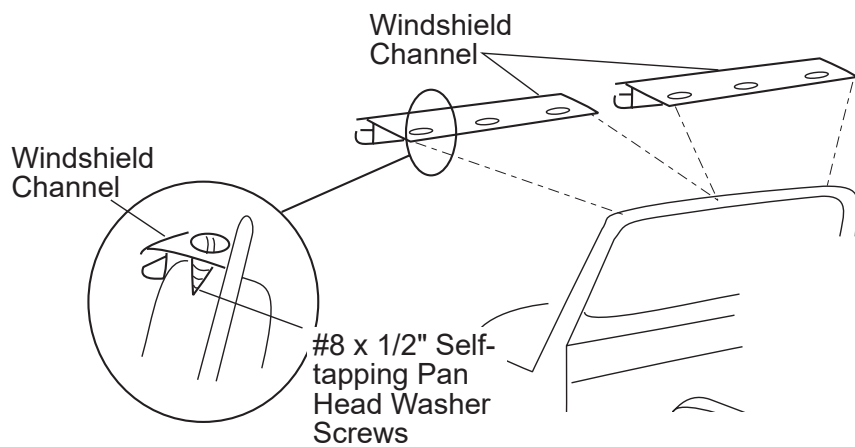
Locate the Windshield Channel provided with the top. Place the channel on top of the Riser. Use the channel as a template and drill 1/8" holes to correspond with the holes in the Windshield Channel. Fasten the channel into place with the Sheet Metal Screws provided in the Top kit.



Center the windshield channels on the top of the windshield frame so that the two pieces of channel are flush with each other and butted up against the windshield frame. Use the channels as templates to mark, center punch and drill with a 1/8 inch drill bit. Secure using #8 x 1/2" Self-tapping Pan Head Washer Screws.

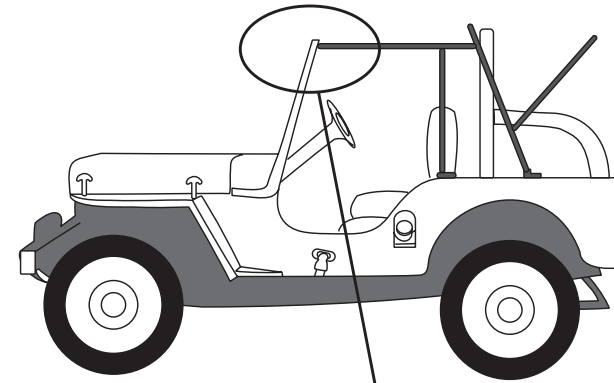
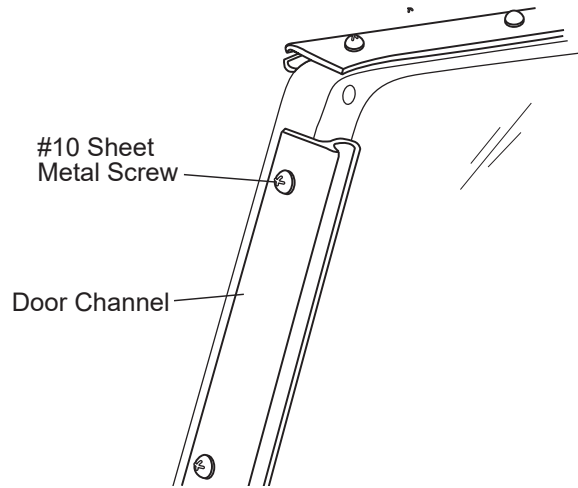
**Drill Horizontal Rod Receiving Hole**

Drill a 3/8 inch hole in each upper, inside corner of the windshield frame. Do not drill all the way through the windshield frame. Some vehicles may have a 5/16 inch hole at this location. If so, drill out to 3/8 inch. These holes will be used to secure the Horizontal Rods to the windshield frame.



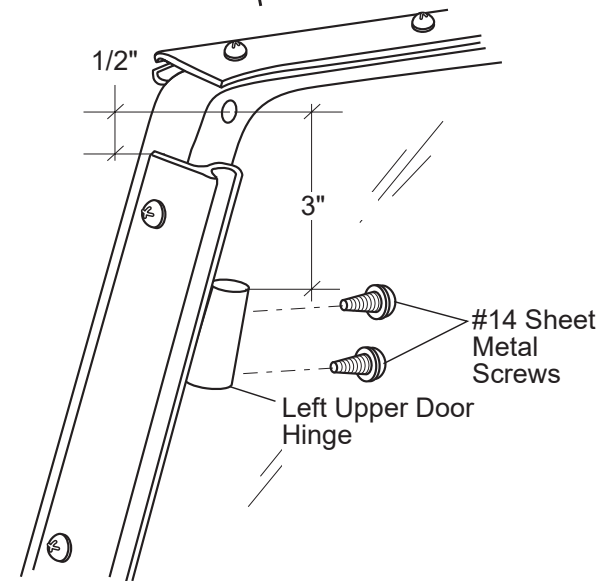
### Install Door Channel

If your vehicle does not have Door Channels, use those provided in the parts kit. Orient the channels with the "tails" down and install them on the outside of the windshield frame, in the existing holes, using four #10 Sheet Metal Screws on each side.



### Install Upper Door Hinges

Locate the upper door hinges 3 inches below the hole that was drilled for the Horizontal Rods). Use the hinges as templates to mark, center punch and drill 3/16 inch holes. Secure using #14 x 1/2" Pan Head Screws.



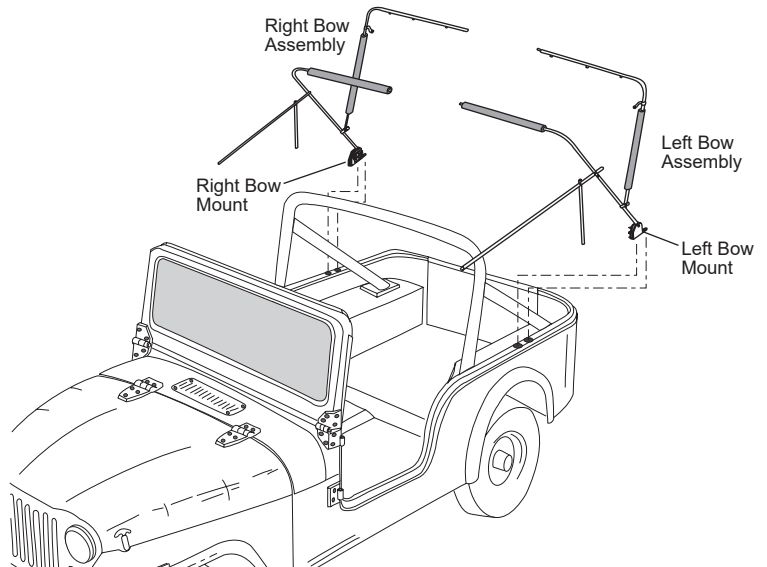
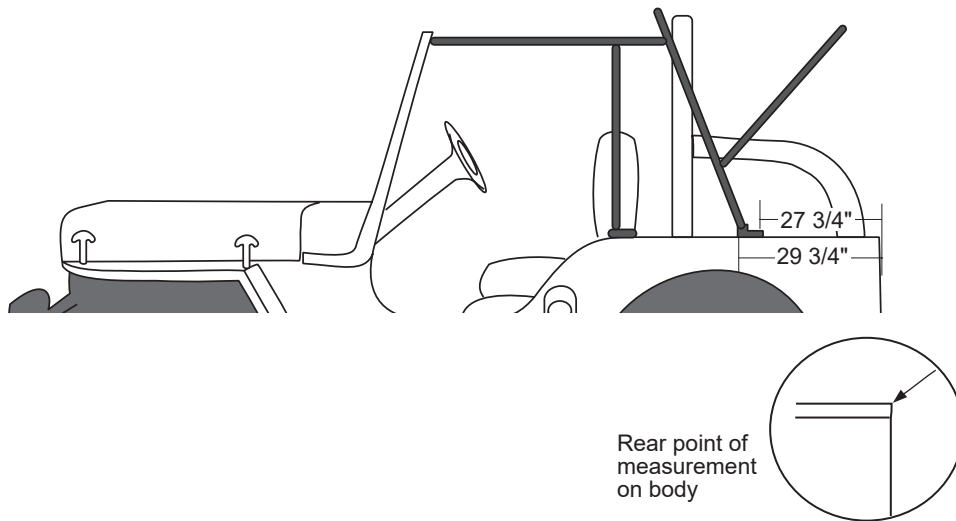


**CAUTION**

When drilling in the top edge of the vehicle body, check underneath for wiring for the rear lights. Pull the wiring out of the way before drilling.

**Install Bow Assembly**

Measure 27 3/4 inches and 29 3/4 inches along the top edge of the vehicle from the outside rear of the body. Mark the locations with a pencil on the top edge of the vehicle. Center punch the locations and drill a 3/16 inch hole at each location. Repeat this procedure on the opposite side of the vehicle.

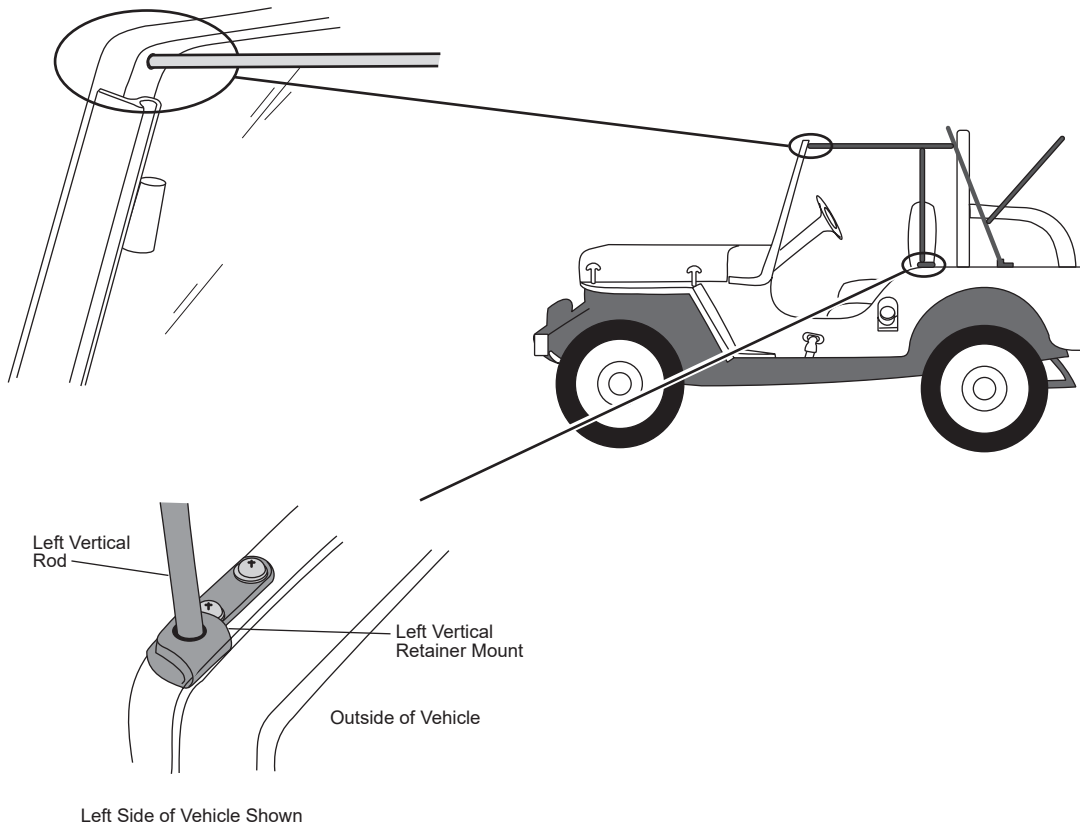


This step will require two people.

Locate the left and right Bow Assemblies in the parts kit. Select one of the assemblies and lay the assembly on the body. Secure the front hole of the bow mount bracket with a #14 Sheet Metal Screw. Do not tighten the screw yet. Then secure the front hole of the other bow assembly on the opposite side of the vehicle. Once the brackets are in place, lift up the bow assembly and secure the rear hole of each bow bracket with a #14 Sheet Metal Screw. It will help here if one person steadies the bow assembly while the other person assembles the #14 Sheet Metal Screws to the vehicle. Tighten the screws. Lay the bow assemblies down onto the body and start the male end of one assembly into the female end of the other assembly. Push the bows forward to snap them into place.

**Secure Vertical and Horizontal Rods**

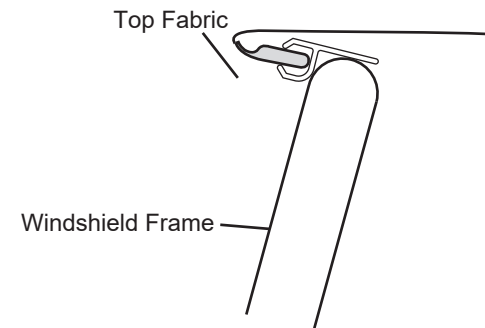
Rotate the front bow assembly forward and insert the Vertical Rods into the Vertical Retainer Mounts. Insert the Horizontal Rod into the hole in the windshield.



**Install Top on Vehicle**

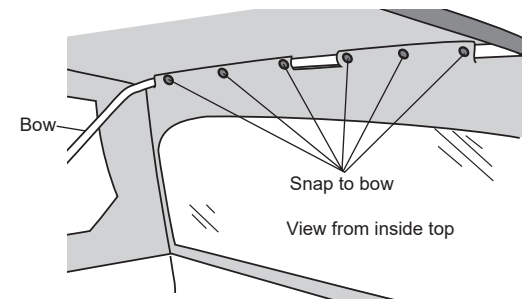
Unfold the top and drape it over the front bow. Insert the front strip into the existing windshield channel on the front of the windshield frame. Make sure that the fabric is centered on the windshield. Failure to center the fabric could result in torn fabric.

Lift the Rear Bow and drape the top over it. Snap the flaps on the inside of the top to the studs on the Rear Bow. Locate the Buckle Straps in the parts kit. Wrap each strap around the corners of the Rear Bow and snap the straps to themselves. This strap will hold down the Rear Bow when the Rear Curtain and Side Panels are rolled up.



**Snap Top to Rear Bow**

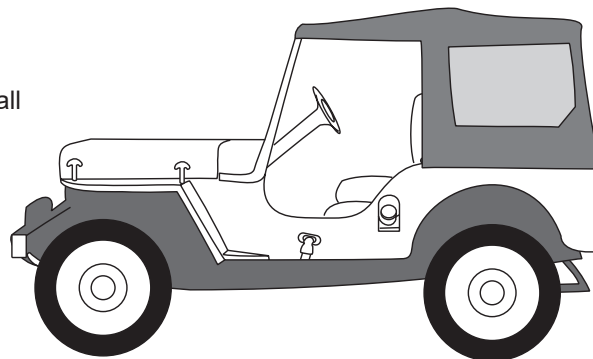
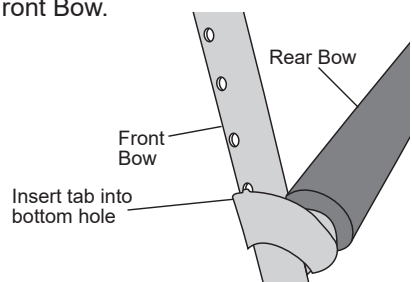
Snap the flaps to the six studs on the rear bow.



**NOTE** **IMPORTANT:** The following steps are extremely important to the fit of the top and will require two people. Make sure that the top is as warm as possible before continuing with the installation.

**1 Adjust Tension on Top**

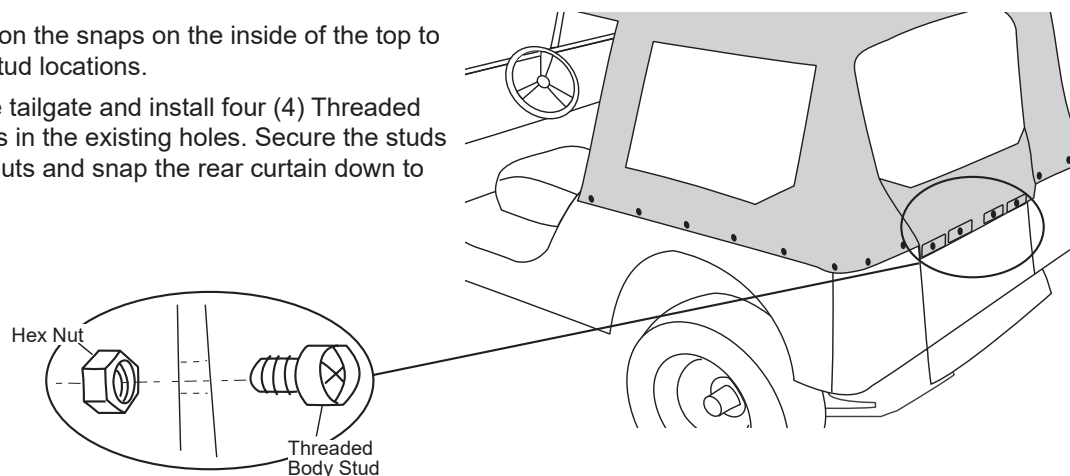
Close the zippers on the Rear Curtain. Slide the Rear Bow up on the Front Bow and insert the small bent tab into the bottom of the four holes in the Front Bow.



**2 Install Tailgate Studs**

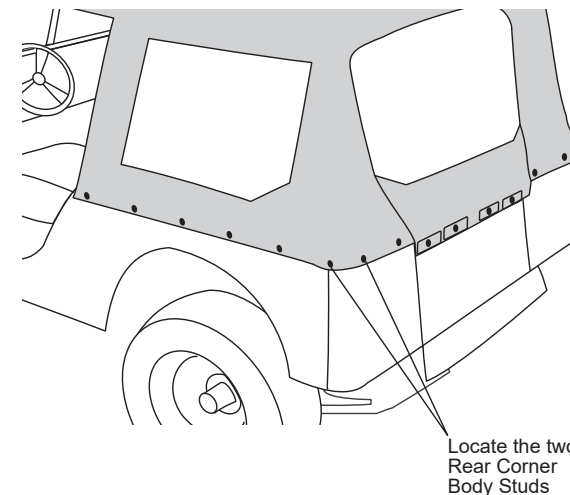
Rub chalk on the snaps on the inside of the top to mark the stud locations.

Start at the tailgate and install four (4) Threaded Body Studs in the existing holes. Secure the studs with Hex Nuts and snap the rear curtain down to them.



**3 Install Rear Corner Snaps**

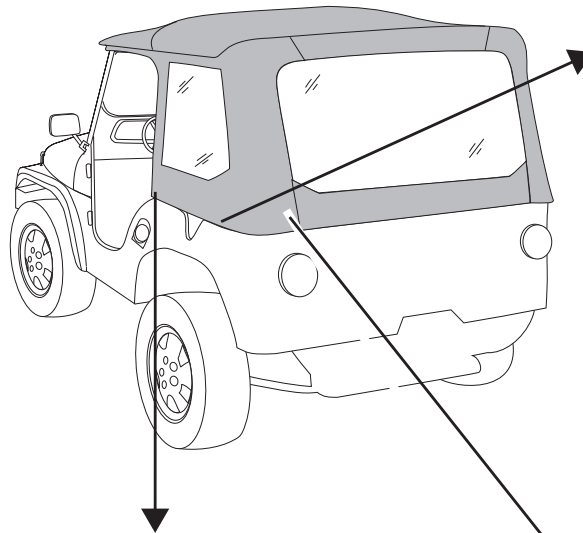
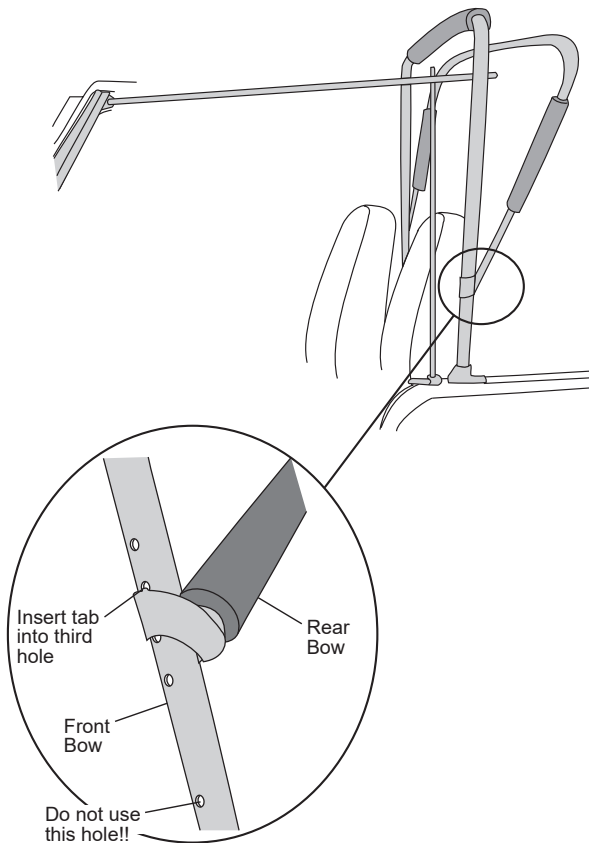
To ensure a good fit, have one person pull down on the rear bow while the other person pulls the fabric down and to the rear to locate the rear corner studs. When you are satisfied with the tightness of the top, press the snaps against the body. The chalk will leave marks for the Body Stud locations. (The Body Studs should be 3/4 inch below the top of the body.) Center punch the marks and drill 3/32 inch holes at the marked locations on each rear corner. Install a Body Stud and #6 x 3/8 Sheet Metal Screw in the rear corners. Snap the top to the corner body studs.



**Raise the Rear Bow**

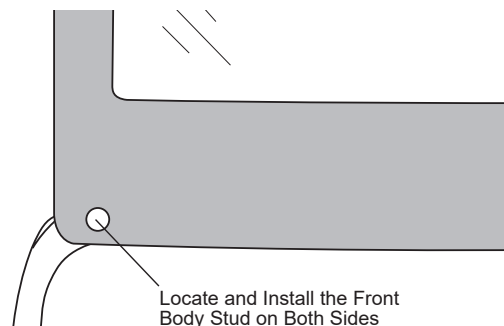
Slide the Rear Bow up on the Front Bow and insert the small bent tab into the third hole from the bottom in the Front Bow.

**NOTE** If the top is extremely tight, slip the tab into the bottom hole. The top will loosen up after a few hours in the sun. Then the tab may be moved up into a higher hole position.



**Install Front Snaps**

At the front of the Side Panel, pull the fabric down and forward to eliminate wrinkles. Mark, center punch and install a Body Stud as before 3/4" below the top edge of the body. Do this on both sides of the vehicle.



**Install Remaining Snaps**

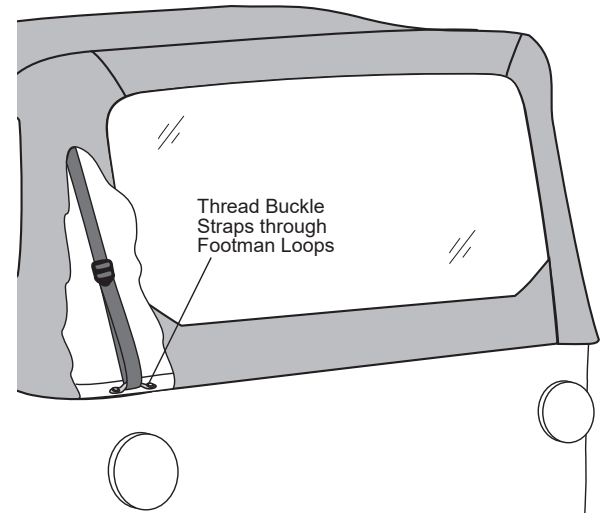
Install the remaining Body Studs on the Side Panels and the Tailgate. Alternate from side to side as you install the studs. Snap the top to each new stud to keep the tension on the top spread evenly.

**NOTE Important:** At the bottom of the Rear Curtain, there is a flap with five snaps. This flap allows this top to adapt to vehicles that have tailgates as well as to those that do not have tailgates.

If you have a vehicle with a flat tailgate or with no tailgate, use the snaps on the bottom of the Rear Curtain. If you have a tailgate with an extrusion on the top, use the snaps on the flap.

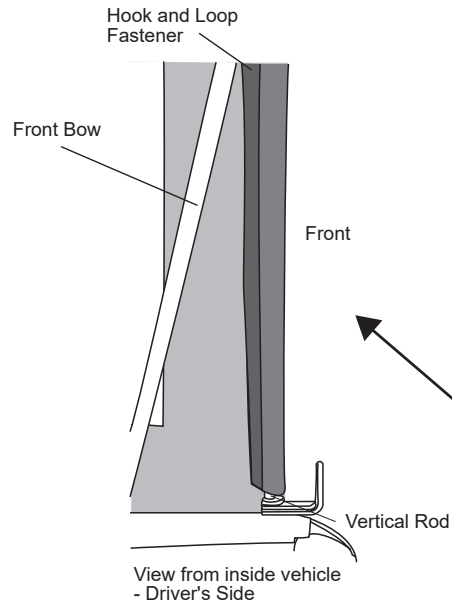
**Secure Buckle Straps**

Thread the Buckle Straps, on the Rear Bow, through the Footman Loops. Pull them up and thread them through the buckle.



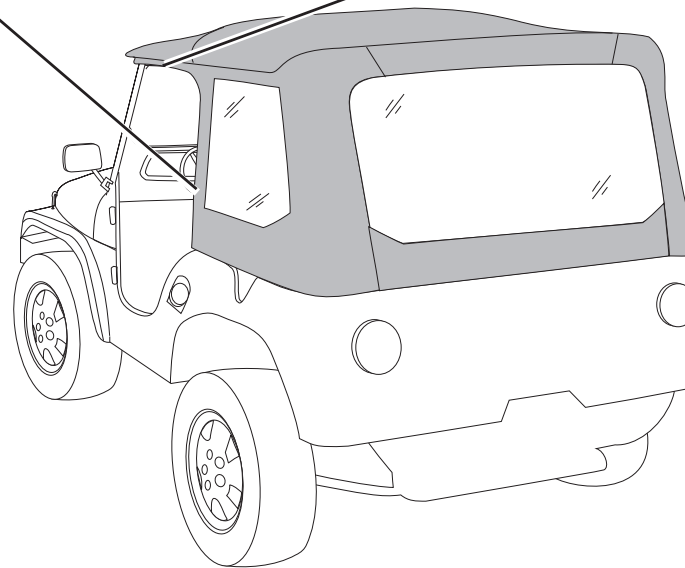
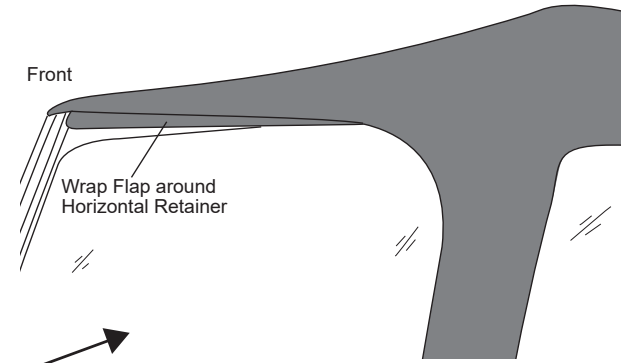
### Secure Front of Side Curtain

Wrap fabric flap on the front of the side curtain around the Vertical Rod (not the front bow) and fasten the hook and loop strips to each other.



### Secure Door Flaps

Wrap the flap, sewn to the top above each door, around the Horizontal Rod and fasten the hook and loop strips to each other.

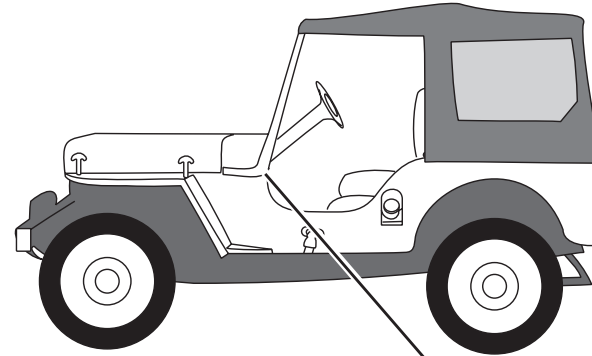


**! WARNING** The doors in this product are designed only for protection against the elements. Do not rely on the doors to contain occupants within the vehicle or to protect against injury during an accident. Door handles are only designed to aid in door closure. Door and handle will not support a person's weight.

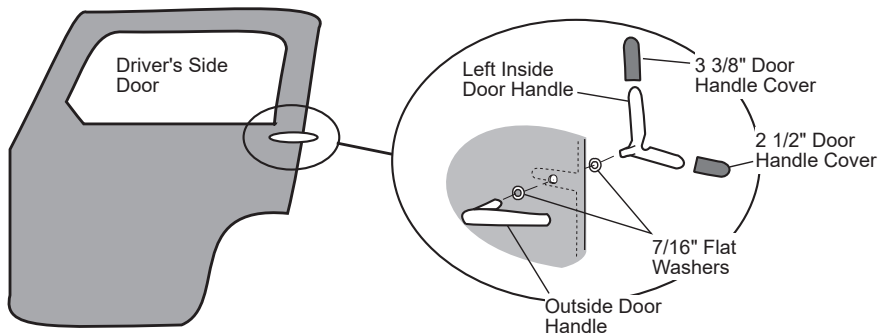
### Assemble Door Handles

Assemble the Door Handles by:

- Installing a flat washer over the square peg on the inside handle.
- Installing the inside handle through the handle mount. The long ear points up and the short ear points to the rear of the door.
- Installing a flat washer over the square peg on the outside of the door fabric.
- Installing the outside handle onto the square peg. Squeeze the inside handle and outside handle together and tighten the set screws on the outside handle. The outside handle should point to the rear of the door in the closed position.



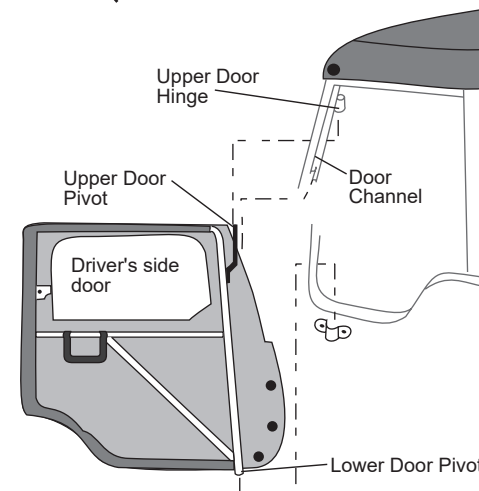
**NOTE** A small amount of glue on the ears of the inside handle will prevent loss of the handle covers.



### Install Doors on Vehicle

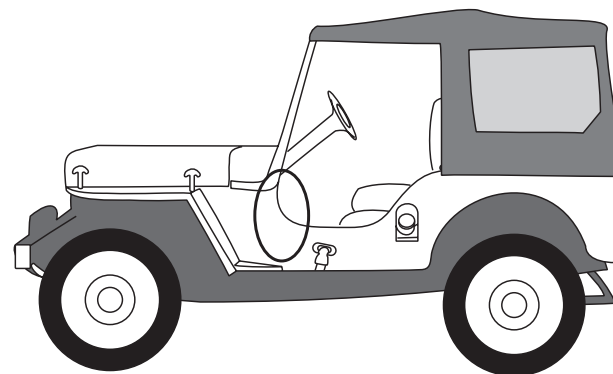
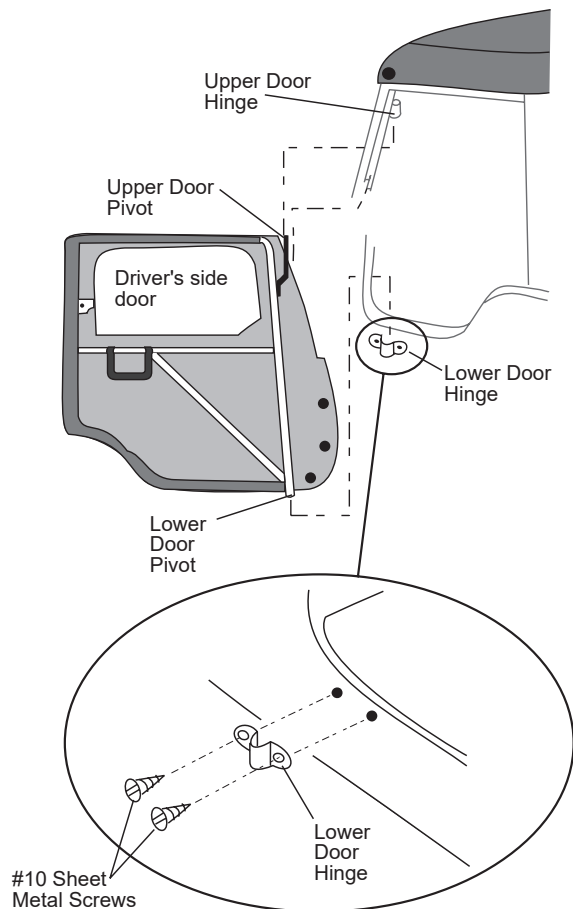
Unzip the door window. Roll tightly to the inside of the door and secure with the elastic strap. Hold the top of the door at a 90 degree angle to the body and start the top, front flange of the door fabric into the bottom of the windshield door channel. Slide the door fabric up into the door channel until the upper door pivot is just below the upper hinge on the windshield. Work the upper door pivot into the upper hinge. Hold the door in the closed position. Latching the door with the inside handle will assist in locating the proper door position. Tension of the door may be adjusted by bending the inside handle. Visually inspect the inside and outside of the door for proper fit.

**NOTE** After installation of the door, the frame of the door may be bent slightly to fit the contour of the vehicle body.



### Install Lower Door Hinges

Once the door is in position, mark the location for the Lower Door Hinge. Center punch and drill two 5/32 inch holes. Secure the Lower Door Hinge using two #10 x 1/2" Pan Head Sheet Metal Screws.



### Install Door Snaps

For best results, the window should be zipped closed for this step.

Install the body studs by marking the snaps on the door fabric with chalk, holding the door open 12 inches and pulling the fabric forward. Press the snaps against the body. The chalk will leave marks for the body stud locations. Center punch and drill 3/32 inch holes at the marked locations. Install a body stud with a #6 x 3/8" Sheet Metal Screw.

Repeat these steps for the other door.

**NOTE** Do not hold the door open more than 15 inches when installing the body studs. Fabric may tear or the snaps may pull out of the door fabric when the door is closed.



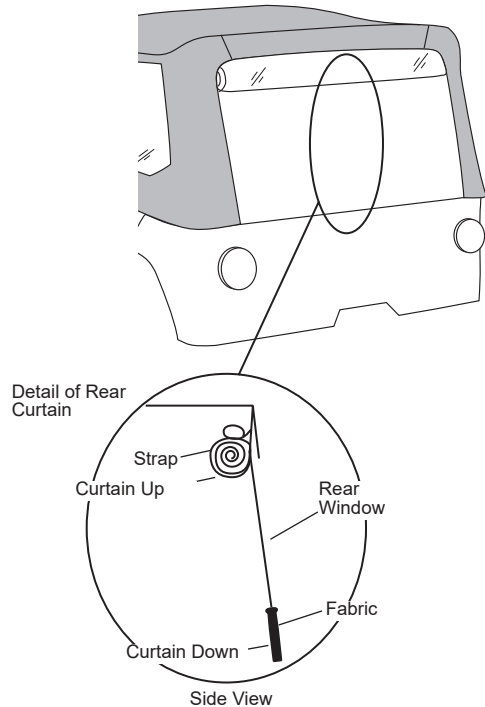
## WARNING

When operating the vehicle with the rear window open, one or more door windows should be open for proper ventilation.

### Adjusting the Top

#### Rear Curtain

To roll up the Rear Curtain, start at the bottom and roll it to the inside. Avoid wrinkles in the fabric and window. Secure it in place with the curtain straps inside of the top.



### Folding the Top Down

Unsnap the Rear and Side Curtains and open the Rear Curtain zippers. Fold the Side Curtains up onto the top and release the hook and loop fasteners on the flaps, above the doors. Unsnap the top from the rear bow.

Release the locking tabs on the Bow Releases from the holes in the bow and slide the rear bow down to the Bow Mounts. Release the Horizontal Rod from the Front Rod Retainers. Remove the Vertical Rod from the Vertical Retainer Mount and lay the bow assembly down on the rear of the vehicle.

Unfasten the top from the windshield and lay it down on the body. Make sure that the rear corners of the top are tucked under the rear bow. Fold the top in half from front to back and continue folding until the top is about 1 foot wide at the rear of the vehicle. Secure the Vertical Retainers and the Horizontal Rods by clipping them into the Rod Retainers on the Bow Mounts. Secure the rear of the bow assemblies by snapping the Bow Tie Down Straps to a Corner Body Stud.

### Removal of Soft Top for Open Air Driving

When operating the vehicle with the fabric top removed, it is very important that the supporting hardware system be disconnected from the windshield bracket and folded flat to the rear of the vehicle. The vertical and horizontal rods should be snapped into the plastic clips located on the inside of both bow mount brackets. Wrap the elastic straps around the bows and snap them to the body studs. Never operate the vehicle with the fabric removed and the hardware in the fully erected position.

## Care and Maintenance of your Bestop Product

Your Bestop product is made of the finest materials available. To keep it looking new and for the maximum possible wear, it will need periodic cleaning and maintenance.

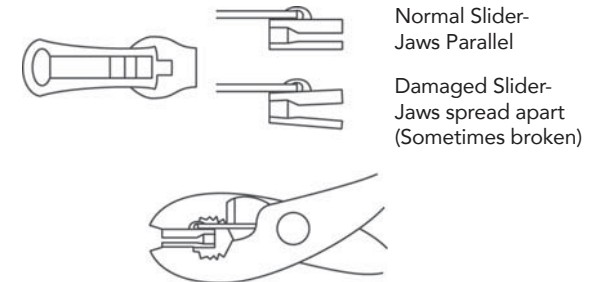
**Fabric:** The fabric should be washed often using soap, warm water and a soft bristle brush. Rinse with clear water to remove all traces of soap. Bestop recommends using Bestop Cleaner (part no. 11201-00) and Bestop Protectant (part no. 11202-00) for Vinyl fabric and Bestop Twill Protectant (part no. 11207-00) for Twill fabric. Bestop Cleaner and Bestop protectant are specially formulated to provide a total cleaning and protection system. Bestop Cleaner safely removes the toughest stains, will not harm vehicle finishes, is biodegradable and environmentally friendly. Bestop Protectant protects against UV-fading, cracking and hardening, and repels dust, grease, dirt and mildew.

**Windows:** Keep windows clean to avoid scratching. DO NOT use a brush on the windows! Wash with a water-soaked cloth or sponge and a mild dishwashing detergent. Bestop recommends Bestop Vinyl Window Cleaner (part no. 11203-00), which safely cleans and protects vinyl windows and helps prevent UV damage. NEVER WIPE THE WINDOWS WHEN THEY ARE DRY. Be careful when cleaning snow or frost from the vinyl windows since they are easily scratched and may crack at low temperatures. DO NOT roll the sides or rear window in cold weather. The windows become stiff and will crack. Cracks caused by misuse in cold temperatures are not covered under warranty.

**Water:** Seeping through at the seams may be stopped by applying 3-M Scotchgard® on the inside of the seams.

**Snaps:** Keep snaps cleaned and lubricated with silicone to help prevent snaps from sticking to the studs. If a snap does become stuck to a stud, use a screwdriver and GENTLY pry apart to prevent permanent damage to the snap or the top fabric.

**Zippers:** Keeping zippers cleaned and lubricated with Bestop's Zipper Cleaner (part no. 11206-00) will help prevent damage and keep the zippers in smooth working condition. If a zipper opens behind the slider, the slider may have been spread apart. This problem can usually be repaired by using an ordinary pair of pliers to bring the sides back into parallel. Return slider to the end of the zipper in the normal Open position. Squeeze lightly at first and test the zipper. If the zipper continues to remain open squeeze more firmly with the pliers and try the zipper again. Repeat this procedure until the zipper operates correctly.



**For Bestop Warranty Information, Please go to;**  
<https://www.bestop.com/help/warranty-information/>

