



Installation Instructions

D760-0069:

G2x / G4x B58

COLD AIR INTAKE SYSTEM

Document Revision: B

Release Date: May 6, 2025

Thank you for being selective enough to choose a Dinan Performance Intake System. The Dinan Engineering Team has spent many hours developing this product to assure that you will receive increased performance, durability and an aesthetic design that you as a customer will be able to enjoy for many years. Ease of installation and maintenance is important to us and has been highly considered throughout the design process.

Prior to performing the installation, familiarize yourself with these instructions as it should help you with the process. If you feel that you do not have the required skills or tools, please arrange for a qualified repair facility to perform the installation.

If you have any difficulties during the installation, or if these instructions are not clear to you, please call Dinan's Technical Support Staff at (800) 341-5480.

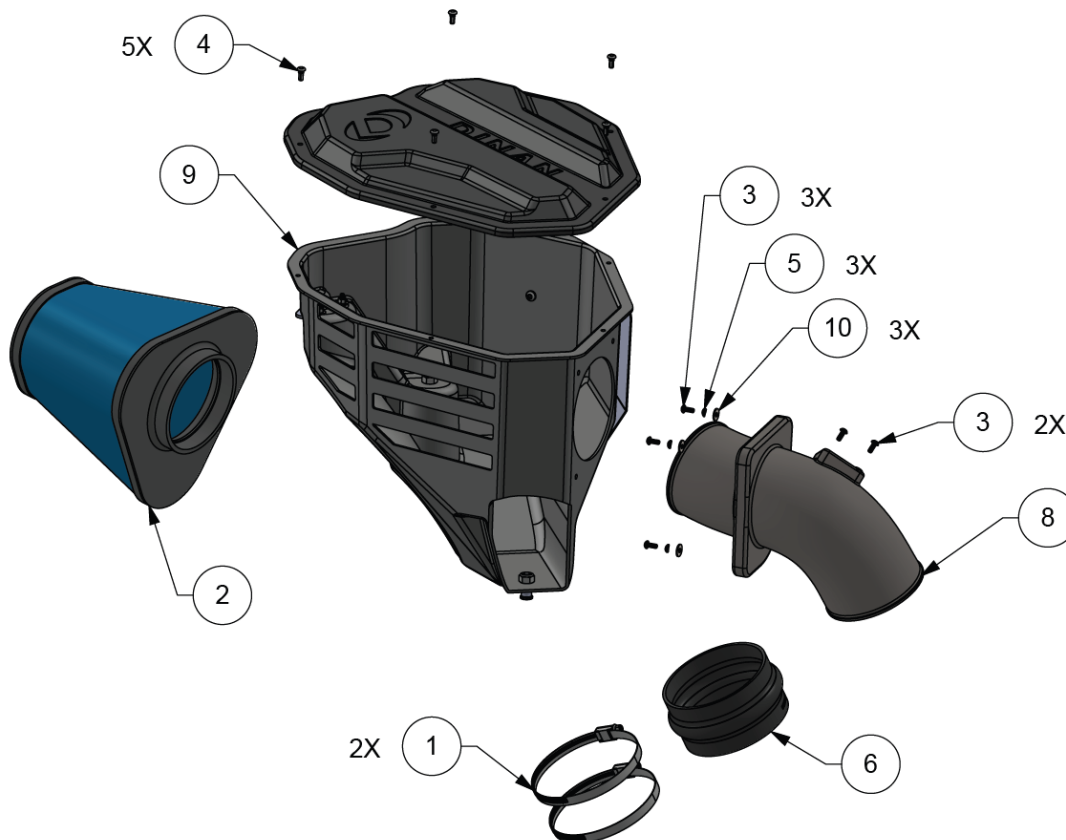
Again, thank you for choosing Dinan. Enjoy.

Table of Contents

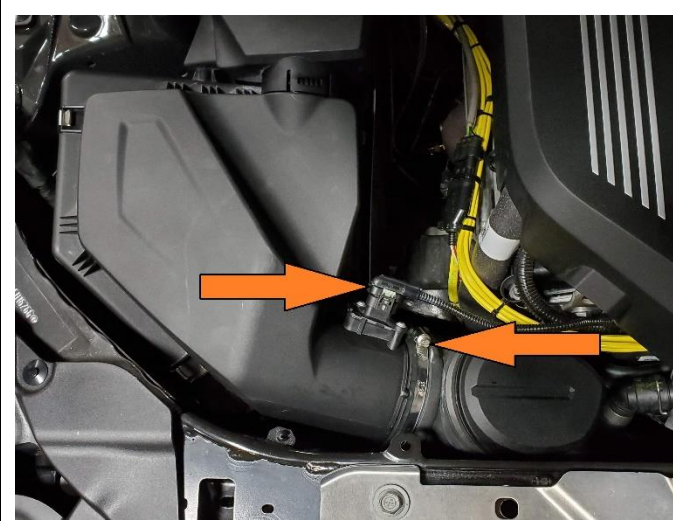
PARTS LIST	2
REMOVAL OF STOCK SYSTEM	2
INSTALLATION OF DINAN SYSTEM.....	5

PARTS LIST

ITEM NO.	PartNo	DESCRIPTION	QTY.
1	#64Z	Clamp, 9mm, 90-110	2
2	D401-0027	Air Filter, G20	1
3	D671-0147	M4 x 10 x 0.7P Button Head, SS	5
4	D671-0256	Rivet, 0.32", Push-in, 0.161, Nylon BLK	5
5	D671-0257	M4 Wave Washer	3
6	D762-0237	Turbo Inlet Hose, G20	1
7	D762-0298	Airbox Lid, G2x, Plastic	1
8	D762-0300	Inlet Tube, G2x, 6cyl, Plastic	1
9	D763-0163	Assy, Lower Airbox	1
10	M4X12 FENDER	M4 Washer	3
11	D762-0277	Spacer, Strut Brace (NOT SHOWN)	2
12	D762-0332	Turbo Inlet Hose, G20 LC12 (NOT SHOWN)	1
13	#48Z	Clamp, 9mm, 80-100 (NOT SHOWN)	1



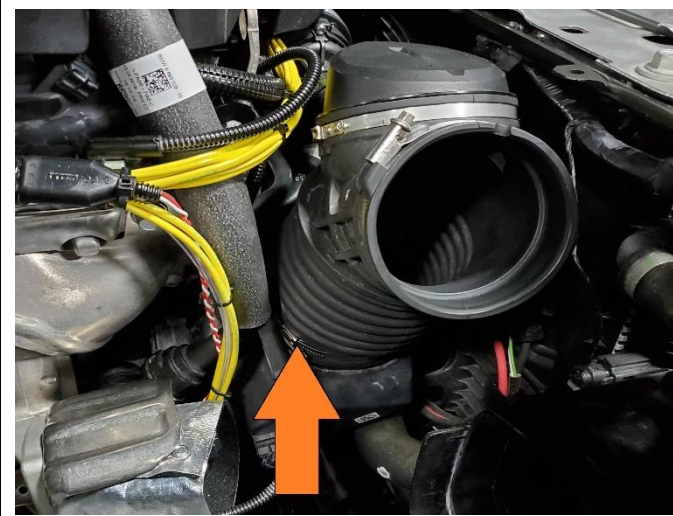
REMOVAL OF STOCK SYSTEM



STEP 1:

1. Unplug the sensor harness from the airbox
2. Loosen clamp and remove the airbox from the vehicle

Ensure that the rubber mounting grommets from the lower airbox remain in proper location on the vehicle

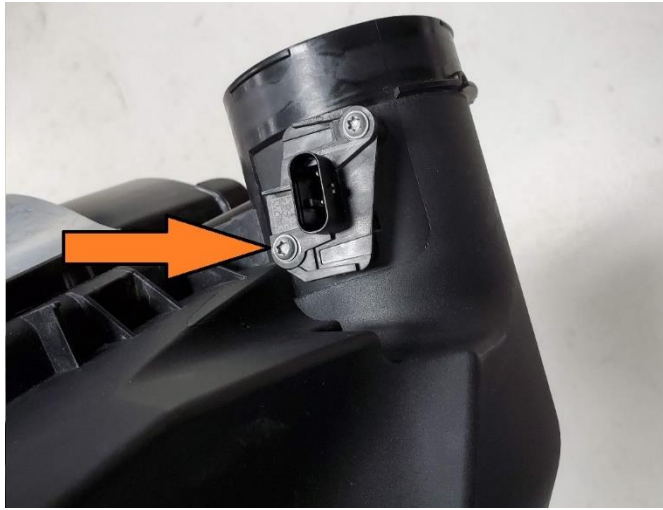


STEP 2:

Remove clamp on rubber inlet hose in shown location.
*Depending on vehicle, this clamp may need to be cut

Remove the remaining stock hose from the vehicle

With a cloth, protect the turbo opening so that no debris falls inside



STEP 3:

Remove the sensor from the airbox

The sensor will be re-used. The screws will not

INSTALLATION OF DINAN SYSTEM



STEP 1:

Slide one clamp over the supplied Inlet Hose. Note:

- 2025 and newer M340i/M440i will use the D762-0332 hose and #48Z clamp.
- All other vehicles will use the D762-0237 hose and #64Z clamp.

Fully seat the Inlet Hose against the stock turbo inlet housing

Tighten clamp

At this time, slide the other #64Z clamp onto the top and tighten slightly to hold into place. Final tightening will be completed once the Intake System is installed.



STEP 2:

Using the hardware shown below, mount the inlet tube to the airbox housing (3X)

Screw - Wave Washer – Flat Washer



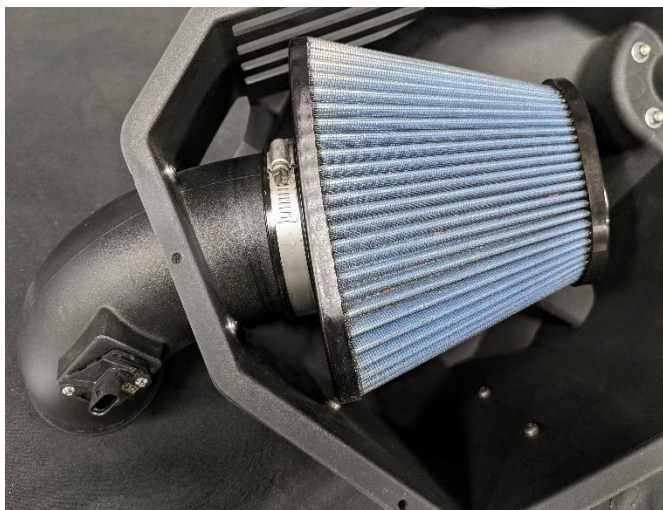
**STEP 3:**

Once tightened, the inside of the box shall look like this

**STEP 4:**

Position the sensor on the inlet tube. This will only fit in one direction

Use the remaining (2) M4x10 screws and tighten sensor to inlet tube as shown

**STEP 5:**

The filter shall have a supplied clamp in the box

Slide the filter over the tube and proceed to STEP 6

**STEP 6:**

Ensure that the filter is in the correct orientation. The DINAN logo shall be upright when looking at the filter cap

Double check proper orientation by placing lid on box to ensure the filter does not interfere

Tighten the Clamp

**STEP 7:**

Place the assembled intake into the vehicle.

Slide Inlet Tube into Inlet Hose

Snap the airbox into the rubber grommets to fully seat system

The inlet tube shall protrude far enough into hose so that there is plenty of engagement of the clamp

Tighten the Clamp

**STEP 8:**

Re-attach the sensor and lock

**STEP 9:**

Using the push rivets (5x), mount the lid to the lower box.

Ensure proper engagement

THE INSTALLATION IS NOW COMPLETE. ENJOY!

**OPTION 1:**

If your vehicle has strut tower braces that need to be re-installed, place supplied spacer in location as shown prior to re-install of brace

Repeat on driver side for uniform look

If your vehicle does not have strut tower braces, please ignore this part

OR

**OPTION 2:**

Upgrade your stock brace with the DINAN STRUT TOWER BRACE. (D180-0013)

Your vehicle doesn't have a brace? Upgrade your engine bay and handling with the DINAN STRUT TOWER BRACE KIT. (D180-0014)

ENJOY!