

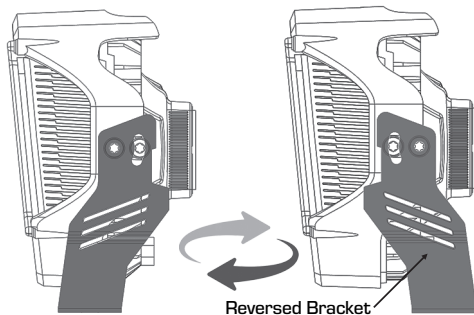


**MOUNTING:**

HOLE SIZE: 10mm  
 NUT SIZE: 15mm  
 SIDE SCREW: T30

**NOTE:**

Brackets can be flipped for additional clearance.



**ACCESSORIES:**

Quad Wiring Harness w/ 40A Relay and Switch DT06 4P	PART# 5921-7-Q
Single 15' Wiring Harness for AUX Switches- DT06 4P	PART# 5921-7-S
LENS COVER- Vega7 Black Out Lens Cover - SNAP FIT	PART# 5921-7-B
LENS COVER- Vega7 AMBER Lens Cover - SNAP FIT	PART# 5921-7-AC
LENS COVER- Vega7 YELLOW Lens Cover - SNAP FIT	PART# 5921-7-YC

**TO PURCHASE ACCESSORIES VISIT [www.ORACLELIGHTS.COM](http://www.ORACLELIGHTS.COM)**

© All Rights Reserved. Copyright 2025 ORACLE Lighting Technologies LLC.

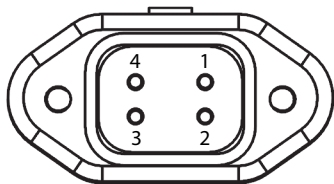
VEGA SERIES 7	LED+LED	LED+LASER
POWER (WATTS)	135W	135W
DRAW (AMPS)	8.5A	8.5A
INPUT VOLTAGE	9-32V DC	9-32V DC
PROJECTION (FT)	2,460'	2,755'
PROJECTION (M)	750M	840M
LUMENS (RAW)	11,990LM	12,340LM
TESTED CANDELA	583,900	676,900
OSRAM CHIP	BOOST-HX	BOOST-HX
CENTER CHIP	Q4 LED	15W LASER
BEAM TYPE	SPOTLIGHT	SPOTLIGHT
BEAM ANGLE	40° SYM	40° SYM
INGRESS RATING	IP69K	IP69K
LED COLOR CCT	5000K	5000K
LED LIFETIME	50,000 HRS	50,000 HRS
CONNECTOR TYPE	DT06-4S	DT06-4S
LENS MATERIAL	HARDCOAT PC	HARDCOAT PC
HOUSING MATERIAL	ALUMINUM	ALUMINUM
HOUSING FINISH	BLACK PC	BLACK PC
MARKER COLOR	AMBER	AMBER
MARKER WATTS	2W	2W



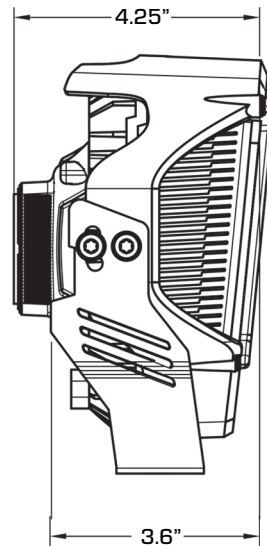
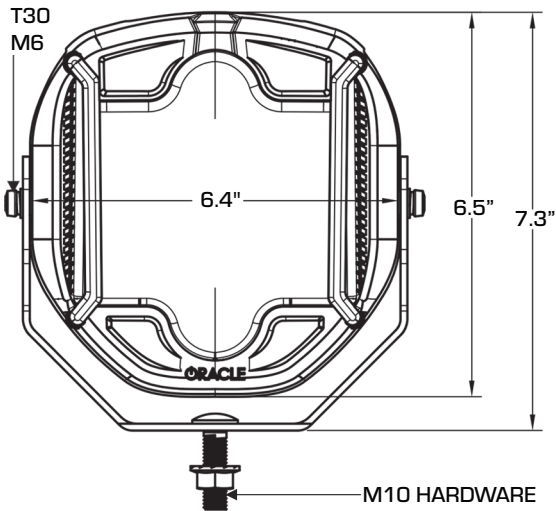
## PRODUCT DETAILS:

### WIRE DETAILS:

CONNECTOR TYPE:  
DEUTSCH DT06-4P



- 1) WHITE • LAZER (5921-7-001 ONLY)
- 2) YELLOW • MARKER
- 3) BLACK • GROUND
- 4) RED • MAIN LED +



### WIRING NOTES:

If making your own harness or extending the cables use minimum 16AWG Copper Core Cable. Keep ground cable length minimal and ground only to a clean direct - to - metal chassis ground location.

LED PART# 5921-7-504  
LZR PART# 5921-7-001

