



79-91002
aFe Power Terra Guard
Light Bar Brackets

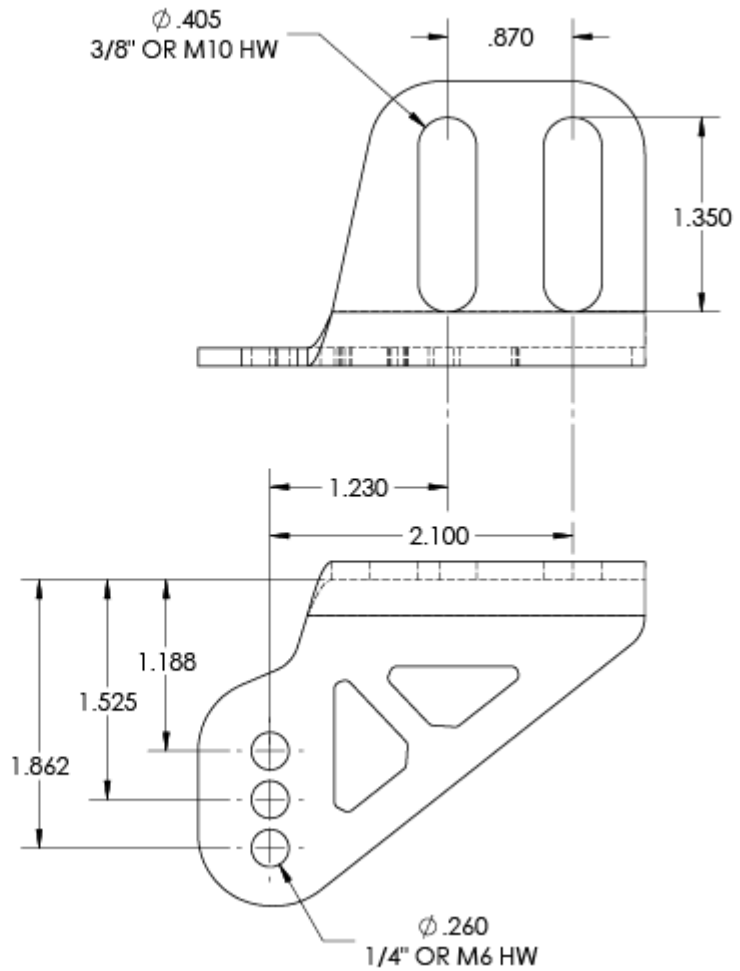
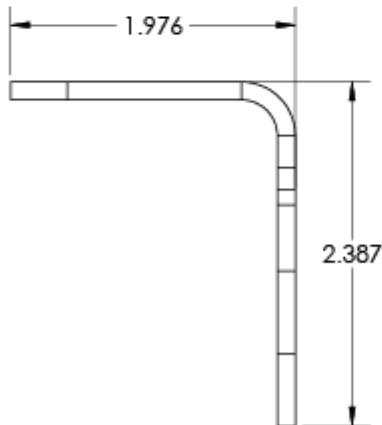
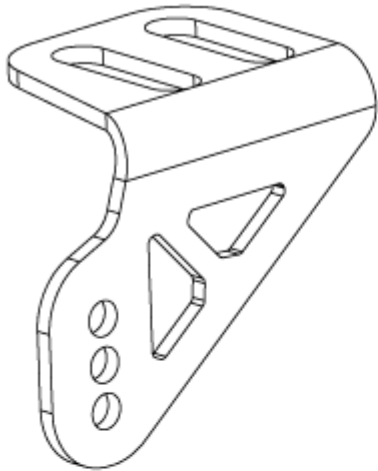


Item	Description	P/N	Qty
1	Bracket, Light Bar Left, Universal	05-61658	1
2	Bracket, Light Bar Right, Universal	05-61659	1
3	Button Head Bolt: M10x1.5x30, S/S Black	03-50808	2
4	Nut, Flanged Nylock: M10 x 1.5	03-50809	2
4	Washer, Flat M10: 20mm OD/ 10.5mm ID	03-50470	2



- Please read the entire instruction manual before proceeding.
- Ensure all components listed are present.
- For technical support please call 951-493-7185.
- Ensure you have all necessary tools before proceeding.
- Retain factory parts for future use.

Dimensions and specifications:





Notes:

Brackets can be mounted in multiple different positions based on your needs. M10 hardware is provided to mount the brackets to the vehicle. Use the hardware that comes with your light to attach the light to the bracket.

