

Installation Instructions

Eibach Inc. 264 Mariah Circle Corona, CA 92879
USA Tech Support 800-507-2338 ext. 114



HD PRO-LIFT KIT: E30-35-056-05-02

BRONCO PTCO 2.0 REAR HD SPRINGS

Notes

HD replacement spring for 35166.9004, meant for 500lbs additional weight on rear axle. If ran with out the proper amount of weight, too much lift will cause poor ride quality. Adjust collar heights to new spec for proper ride heights and ride quality.

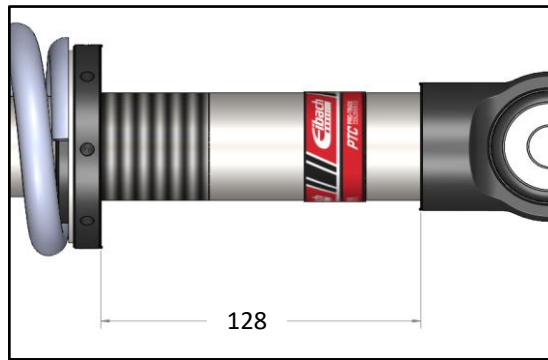
Kit Contents

Description	Part Number	Quantity
BRONCO PTCO SPRING HD REAR	F31-35-056-05-RA	2

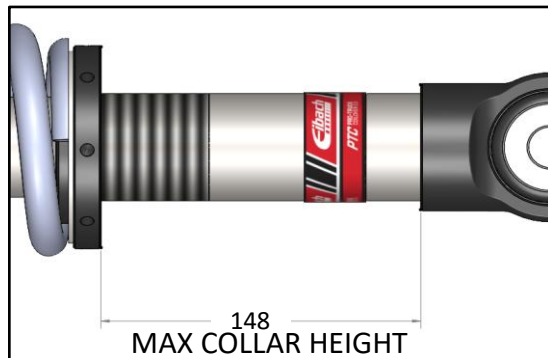
Installation Notes

Read all instructions before beginning installation

- Only qualified mechanics experienced in the installation and removal of suspension components should perform this installation.
- Use of a hoist and screw jack is highly recommended and will substantially reduce installation time.
- Never work on or under a vehicle unless it is properly supported by safety stands and wheels are blocked.
- Never use impact wrenches or impact guns to install or remove shock absorber piston components, shafts and Piston rod nuts.
- All Eibach springs should be installed with the Eibach logo right-side-up. All original stock spring isolators and dampers should be retained from the stock springs when installing Eibach springs.
- After Installation, inspect and adjust the following: Wheel Alignment; tire/wheel fender clearance when using aftermarket wheels or tires; brake line clearance and attachments; anti-lock-brake system sensors.
- Tire Rotation: In order to increase the life of your tires, it is recommended to rotate your tires every 3,000 miles.
- For MacPherson Strut type front suspension, it is important to mark the orientation of the upper perch with respect to the lower perch before disassembly. This orientation must remain the same with the installation of the springs. Noise may result if this procedure is not performed correctly.



ADJUST TO NEW COLLAR HEIGHT
AT 128MM (5 1/32) INCHES



Note: Do NOT go above a spring collar height of 148mm (5 13/16)INCHES from bottom of collar to base, as shown or else damage to the shock and suspension will occur.