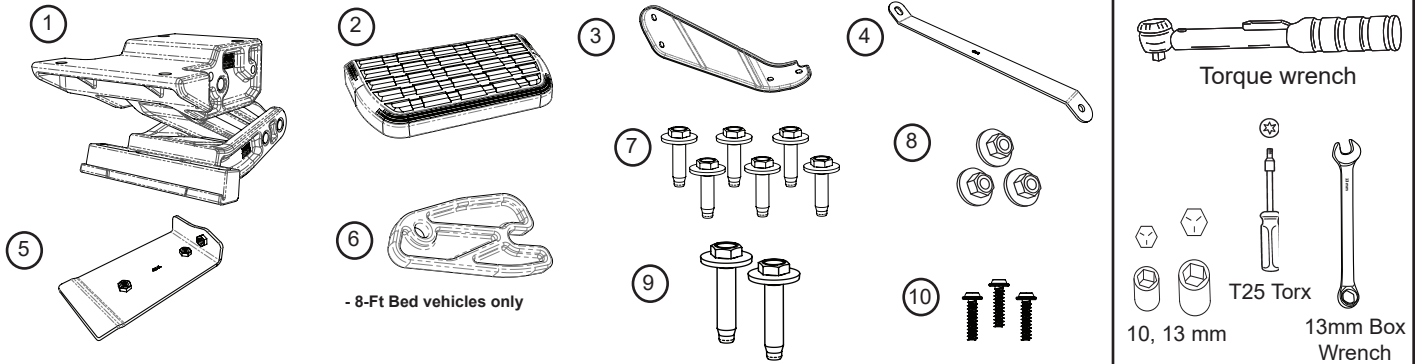


APPLICATION
Ford Super Duty
(Driver Side Only)

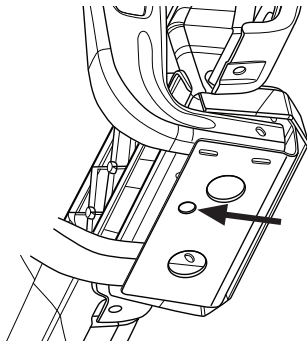
MODEL YEAR
2023 - 2025

PART NUMBER
75422-01A

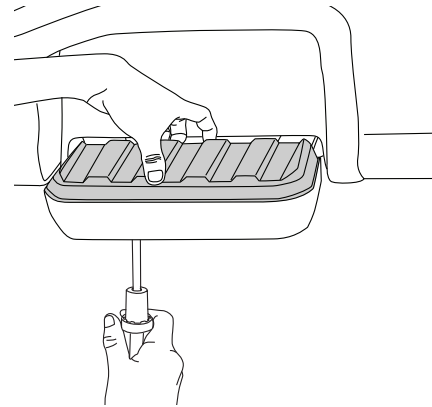


Locate access hole at bottom of stock step assembly (see figure a.). Using a screwdriver or similar, push up through the hole while pulling top of step pad out (see figure b.).

a.



b.

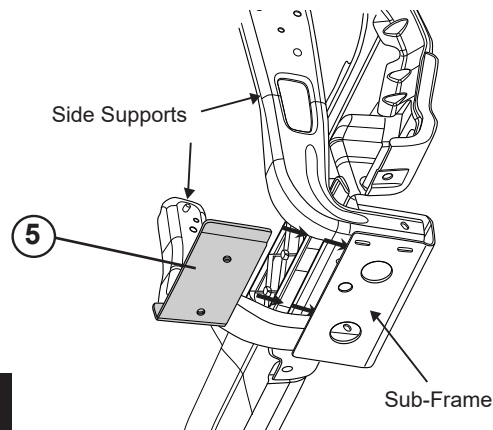
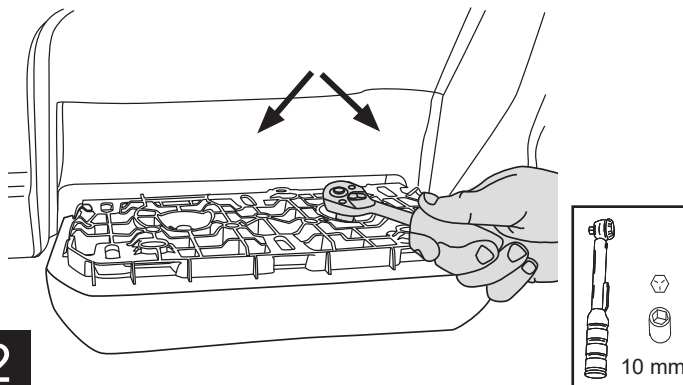


1a

1b

Remove bottom part of the step pad. Use ratchet to remove both bolts holding it in place.

Insert reinforcement nut plate into position onto beside step sub-frame. The final position will be on top of lower shelf of the sub-frame and between the side supports.



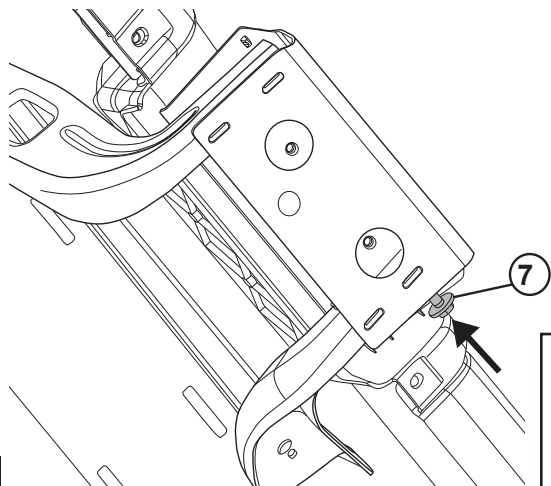
2

3

REALTRUCK TECH SUPPORT 1-888-983-2204 (Press 2) Monday - Friday, 8:00 AM - 5:00 PM EST

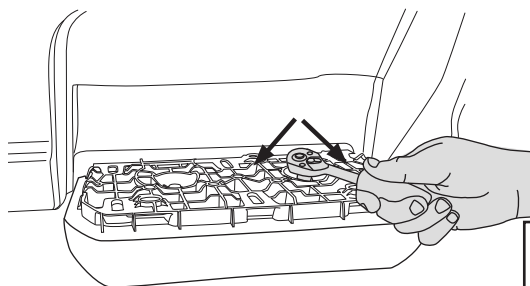
Designed and manufactured by RealTruck AMP Research® • Made in Mexico
Patent Protected. Please see our product site for applicable patents. www.realtruck.com/b/amp-research/
© RealTruck Group, Inc., 2024 • Three-year limited warranty. • Professional installation is recommended.

Fasten Reinforcement nut plate with short M8 Bolt (7). Torque to 16 ft-lbs (22 N·m).



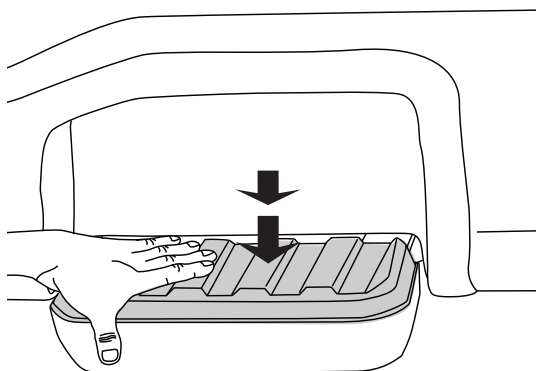
4

Re-install step pad back on, first the bottom portion of the step pad. Torque bolts on bottom part of step pad to 2.6 ft lbs / 3.5 N·m.



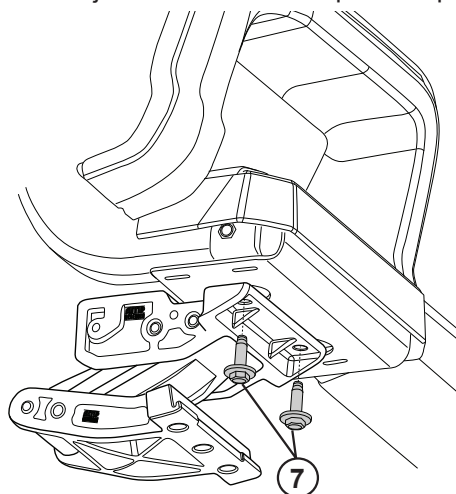
5

Next, install top part of step pad, make sure it snaps back in place.



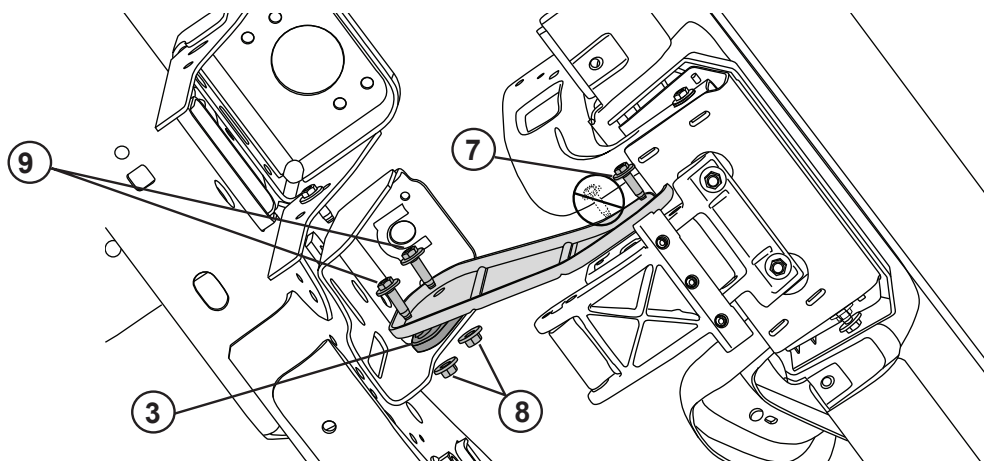
6

Fasten Linkage Assembly to side step sub frame with two medium M8 bolts (7), threading bolts, threading bolts into reinforcement nut plate. Again, do not torque yet, allowing linkage some adjustment for subsequent steps.



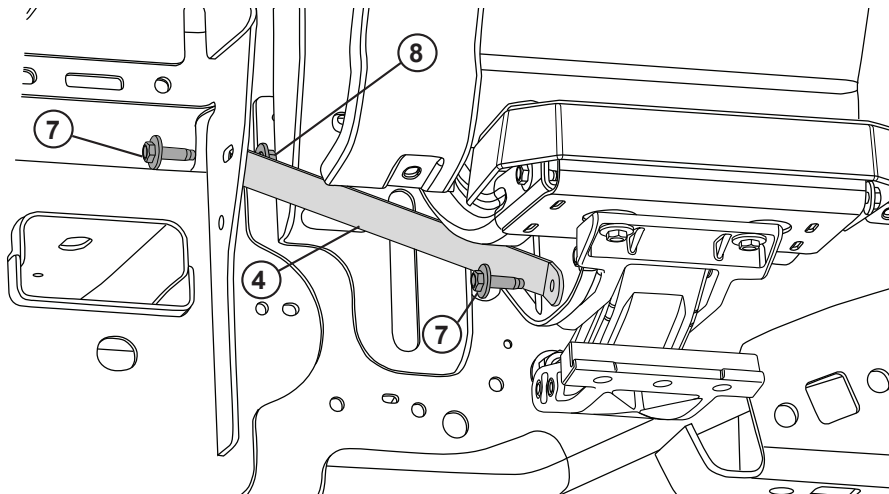
7

Position the lateral support bracket and fasten as shown, long fasteners (9) at frame mount and medium length fasteners (7) at linkage. Only use the shown spacer on long bed trucks (8 foot). Leave second fastening location open for the next step. **Do not torque.**



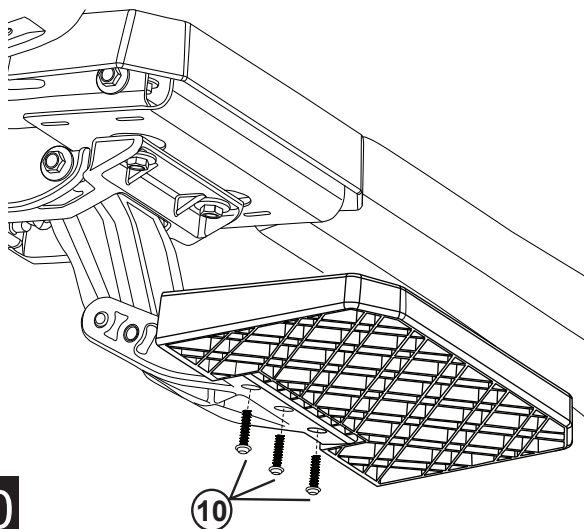
8

Position the secondary support bracket and fasten with medium length fasteners (7) as shown. After all hardware is in place, torque all nine M8 fasteners to 16 ft-lbs (22 N·m).



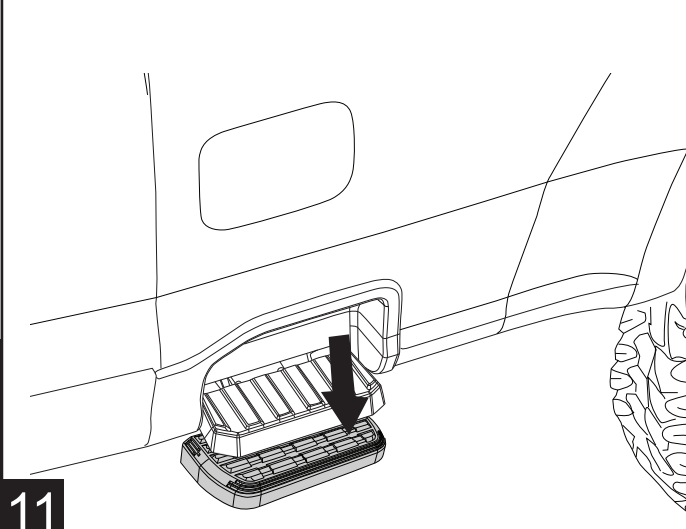
9

Secure step pad using provided PT Screws. Tighten to 6 ft-lbs (8 N·m) using T25 Torx bit.



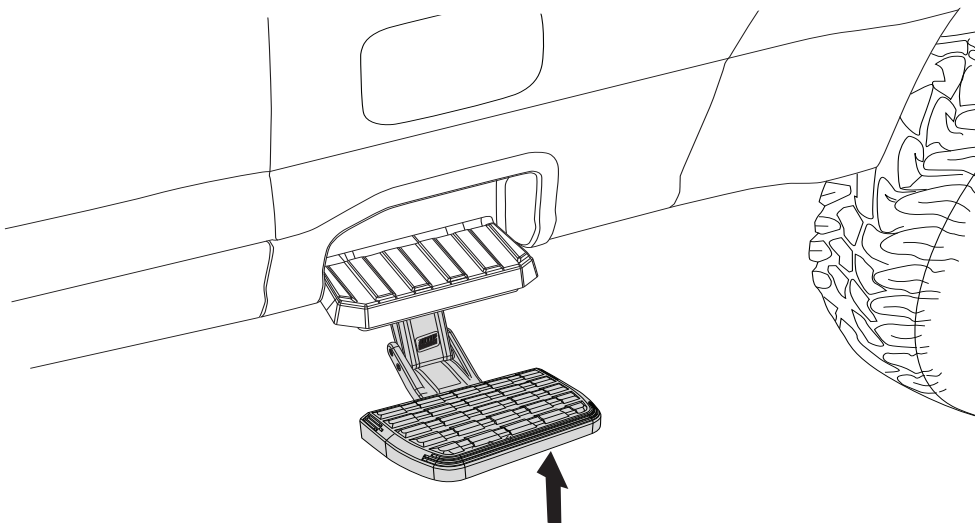
10

To deploy the step, press down using your foot on the outside edge of the step pad.



11

To retract, gently kick up on the underside of the step pad.



12

Thank you for your recent RealTruck purchase.

**REGISTER YOUR PRODUCT TODAY FOR
FASTER SERVICE & PRODUCT UPDATES**

Please visit:

<https://realtruck.com/warranty-registration/>
or scan the QR Code



Product Registration Benefits:

- Ensure we have your purchase receipt and product info in our system which is required for warranty.
- Faster and easier access to customer service and tech support in the unlikely event you need warranty or product support.
- Registration helps us keep you up to date on product information and offers.

To view other RealTruck products that may be offered for your vehicle.

Please visit: www.realtruck.com



Congratulations on the purchase of your AMP Research BedStep®

Here's what you should know...

OPERATION

- The AMP Research BedStep® is foot operated and deploys and retracts with a nudge of your foot.
- To deploy, press down using your left foot, on the forward outside corner of the step pad.
- To retract, gently kick the underside of the step pad.
- Max Load Capacity: 300lbs.
- Always use appropriate hand holds when stepping up to or down from your truck's cargo bed.

MAINTENANCE TIPS

The step pad surface and linkage arms can be washed with mild soap and water using a soft brush or sponge to dislodge any mud, dirt or accumulated road grime. Rinse with fresh water.

To prevent slipping, avoid applying waxes, lubricants or protectants like Armor All® to the step surface.

ATTENTION!

BEDSTEP SHOULD ALWAYS BE STOWED IN THE RETRACTED POSITION WHEN DRIVING.

LIMITED WARRANTY

REALTRUCK warrants product to be free from defects in material and workmanship, for terms specified below, provided there has been normal use and proper maintenance. All remedies under this warranty are limited to the repair or replacement of any item found by the factory to be defective within the time period specified.

If you have a warranty claim, first you must call our factory at the number below for instructions. You must retain proof of purchase and submit a copy with any items returned for warranty work. Upon completion of warranty work, if any, we will return the repaired or replaced item or items to you freight prepaid. Damage to our products caused by accidents, fire, vandalism, negligence, misinstallation, misuse, acts by mother nature, or by defective parts not manufactured by us, is not covered under this warranty.

THE WARRANTY TIME PERIOD IS AS FOLLOWS: THREE YEARS FROM DATE OF PURCHASE.

ANY IMPLIED WARRANTIES OF MERCHANTABILITY AND/OR FITNESS FOR A PARTICULAR PURPOSE CREATED HEREBY ARE LIMITED IN DURATION TO THE SAME DURATION AND SCOPE AS THE EXPRESS WRITTEN WARRANTY. OUR COMPANY SHALL NOT BE LIABLE FOR ANY INCIDENTAL OR CONSEQUENTIAL DAMAGE.

Some states do not allow limitations on how long an implied warranty lasts, or the exclusion or limitation of incidental or consequential damages, so the above limitations or exclusions may not apply to you. This warranty gives you specific legal rights, and you may also have other rights that vary from state to state.

FOR WARRANTY ISSUES WITH THIS PRODUCT PLEASE CALL REALTRUCK CUSTOMER SERVICE 1-888-983-2204

WARNING

Be sure to read and precisely follow the provided instructions when installing this product. Failure to do so could place the vehicle occupants in a potentially dangerous situation. After installing or reinstalling, re-check to insure that the product is properly installed.