



# Installation Instructions Tigertop

Vehicle Application:  
Jeep® CJ5 1976-1983

## Installation Tips

Before you begin installing your new Tigertop, please read all the instructions thoroughly.

**WARNING** Do not rely in any way on the components of this product to protect against injury or death in the event of an accident. Never operate the vehicle in excess of manufacturer's specifications.

Read and follow, precisely, all installation instructions provided when installing this product. Failure to do so may result in a poor fit and could place occupants of the vehicle in a potentially dangerous situation.

For easier installation, the top should be installed at a temperature above 72° F. Below this temperature, the fabric may contract making it difficult to fit the vehicle.



**CAUTION** Safety glasses should be worn at all times when installing this product.

**WEAR SEAT BELTS AT ALL TIMES**

### Tools

### Installation Time

### Support



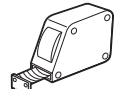
Safety Glasses



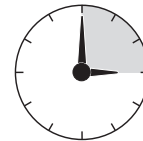
Center Punch



Pencil



Tape Measure



3 Hours



#2 Phillips Screwdriver



7/16" Wrench



Hammer



Adjustable Wrench

### Skill Level



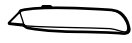
3 - Moderately Difficult



Power Drill



3/32", 1/8", 5/32", 7/32" and 3/8" Drill Bits



Utility Knife



Chalk

We're here to help!  
Go to [www.Bestop.com](http://www.Bestop.com) and click on "Need Help?"



## Installation Instructions Tigertop

Vehicle Application:  
Jeep® CJ5 1976-1983

### Sugerencias de Instalación

**Antes de empezar a instalar esta unidad, lea atentamente todas las instrucciones.**

**Para un buen ajuste:**

Para facilitar la instalación, el producto debe instalarse a temperaturas superiores a 72 °F (22 °C).

Por debajo de esta temperatura, la tela puede encogerse una pulgada o más, lo que dificultaría su ajuste al vehículo.

Es normal que la tela se contraiga o arrugue cuando está guardada en la caja de empaque. A los pocos días después de la instalación, la tela se relajará y las arrugas desaparecerán.



#### ADVERTENCIA

Este producto se diseñó principalmente para mejorar la apariencia del vehículo y proteger a los ocupantes de las condiciones climáticas comunes. De ninguna manera piense que los componentes de este producto pueden servir como medio de contención para los ocupantes del vehículo o que pueden protegerlos contra lesiones o la muerte en caso de accidente. Este producto no protegerá a los ocupantes contra caídas de objetos. Nunca conduzca este vehículo fuera de las especificaciones del fabricante.

#### USE LOS CINTURONES DE SEGURIDAD EN TODO MOMENTO

Lea y siga con precisión todas las instrucciones de instalación que se proporcionan para instalar este producto. Si no lo hace, podría producirse un mal ajuste que colocaría a los ocupantes del vehículo en una situación potencialmente peligrosa.



#### PRECAUCIÓN

Debe usar gafas protectoras en todo momento durante la instalación de este producto.

### Conseils pour l'installation

**Lire toutes les instructions au complet avant de commencer l'installation de cet assemblage.**

**Pour un ajustement sans problème :**

Afin de faciliter l'installation, ce produit doit être installé à des températures au-dessus de 72 °F (22 °C).

Sous cette température, le tissu peut rétrécir d'un pouce (2,5 cm) ou plus, ce qui rendra l'ajustement sur le véhicule difficile.

Il est normal que le tissu rétrécisse et plisse pendant qu'il est dans la boîte d'expédition. En quelques jours après l'installation, le tissu se détendra et les plis disparaîtront.



#### AVERTISSEMENT

Ce produit est conçu principalement pour améliorer l'apparence du véhicule et pour protéger les occupants des conditions météorologiques usuelles. Ne jamais se fier aux composants de ce produit pour se protéger de blessures ou de la mort en cas d'accident. Ce produit ne protégera pas les occupants des chutes d'objets. Ne jamais utiliser le véhicule au-delà des caractéristiques techniques indiquées par le fabricant.

#### PORTER UNE CEINTURE DE SÉCURITÉ EN TOUT TEMPS

Lire et suivre, très fidèlement, toutes les instructions d'installation fournies lors de l'installation de ce produit. Ne pas suivre cette consigne peut causer une installation inadéquate et mettre les occupants du véhicule dans une situation potentiellement dangereuse.



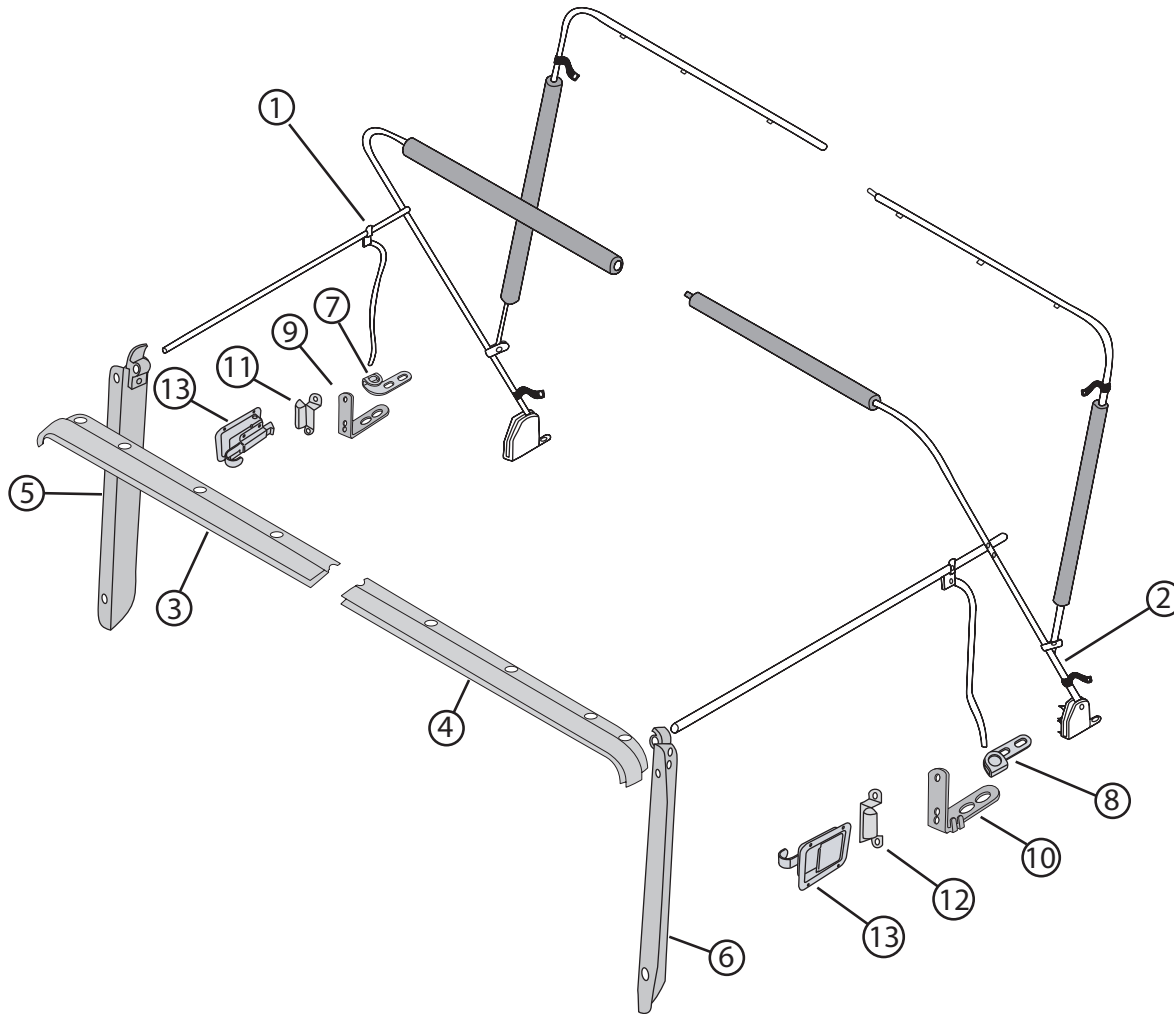
#### MISE EN GARDE

Des lunettes de sécurité doivent être portées en tout temps lors de l'installation de ce produit.



# Installation Instructions Tigertop

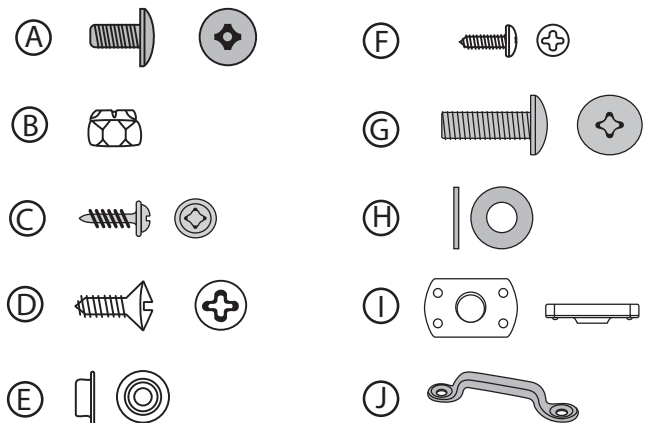
Vehicle Application:  
Jeep® CJ5 1976-1983



Description	Part #	Quantity
-------------	--------	----------

1	Bow Assembly - Right	238.31	1
2	Bow Assembly - Left	238.32	1
3	Windshield Retainer - Right	225.42	1
4	Windshield Retainer - Left	225.43	1
5	Front Door Strike - Right	238.42	1
6	Front Door Strike - Left	238.43	1
7	Vertical Retainer Mount - Right	229.24	1
8	Vertical Retainer Mount - Left	229.25	1
9	Vertical Mount - Right	207.29	1
10	Vertical Mount - Left	207.30	1
11	Door Striker - Right	212.87	1
12	Door Striker - Left	212.88	1
13	Paddle Handle	245.46	2

9	#10 - 24 Truss Head Screw	195.92	16
B	#10 - 24 Locknut	195.93	16
C	#8 x 1/2" Pan Head Screw	200.48	11
D	#10 x 1/2" Oval Head Screw	155.49	4
E	Body Stud	9.68	23
F	#6 x 3/8" Sheet Metal Screw	9.69	23
G	5/16" - 18 x 1" Phillips Head Bolt	236.20	8
H	5/16" Washer	233.04	8
I	5/16" Tapping Plate	200.50	8
J	Footman Loop	272.29	2



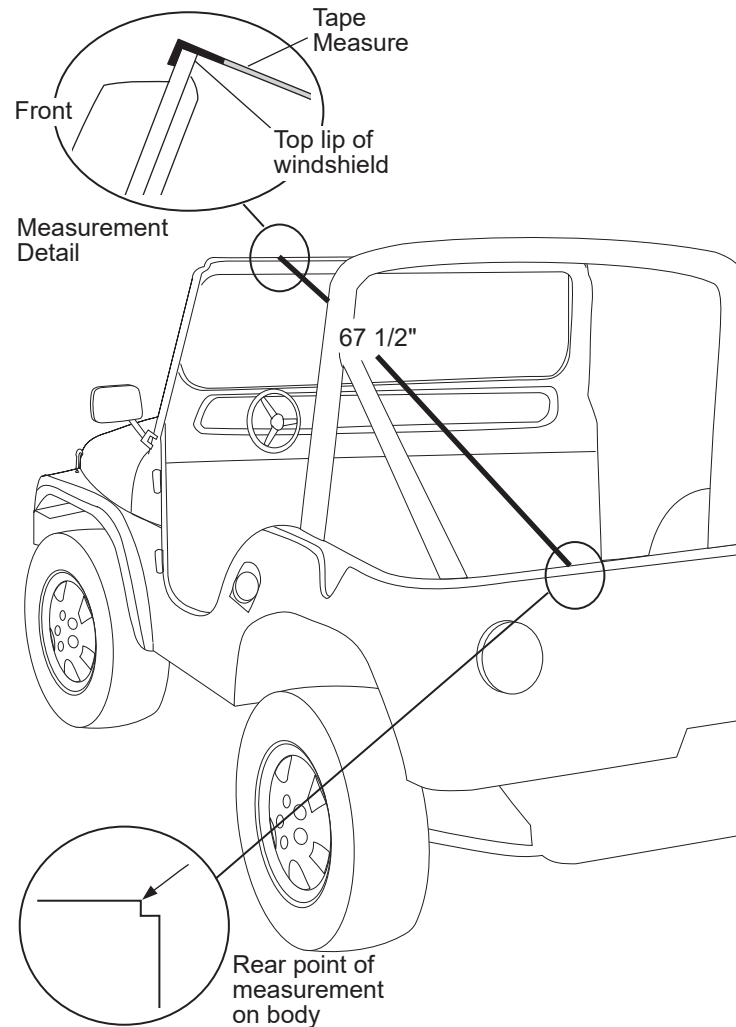
**NOT SHOWN**

Description	Quantity
-------------	----------

Top Fabric	1
Door, Right	1
Door, Left	1
Buckle Straps	2

## Windshield Measurement

Before installing the top, check the windshield measurement. The distance from the top lip of the windshield to the top outer edge of the body must be 67 1/2" on both sides of the vehicle. Measure from 6" inside the doors.



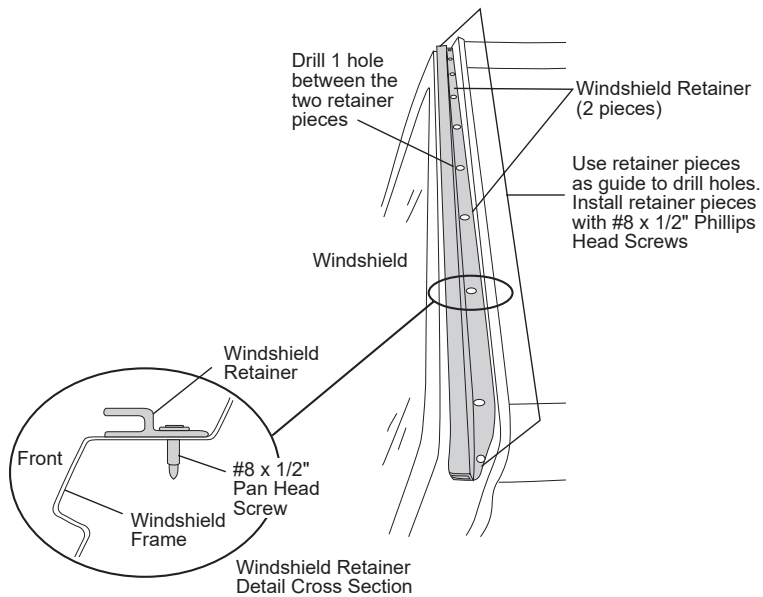
**! WARNING** Improper windshield adjustment will result in poor fitting top and doors, causing looseness or undue strain on the top.

**CJ5 Windshield Adjustment:**  
If necessary, loosen the two #40 TORX Bolts in the Windshield Clamps at the base of the windshield on each side of the vehicle. Adjust the windshield forward or back, use a shim if needed to position the windshield, and tighten the screws.

Windshield Clamp Detail

Loosen #40 TORX bolts in bracket and lean the windshield forward or back to adjust. You may have to place a shim between the windshield and the body.

Install Windshield Retainer on top of windshield frame. Use retainer pieces as templates to mark, center punch and drill eleven 1/8" holes. Install with eleven #8 x 1/2" Phillips Head Screws.

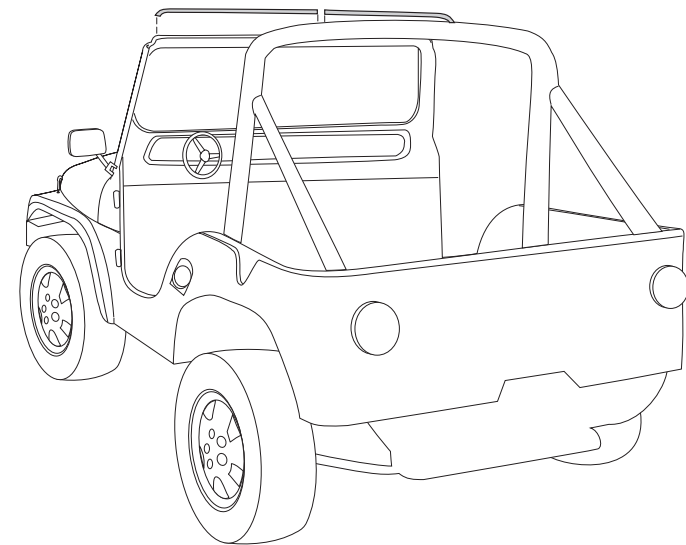


### WARNING

A loose Windshield Retainer may allow the top to disengage from the windshield, causing damage to the top and possible injury to the occupants of the vehicle.

Make certain that the Windshield Retainer is securely fastened to the windshield during installation and at all other times by checking the tightness of the mounting screws every three months.

Do not use any drill size other than 1/8". Failure to use the correct size may cause the Windshield Retainer to loosen.



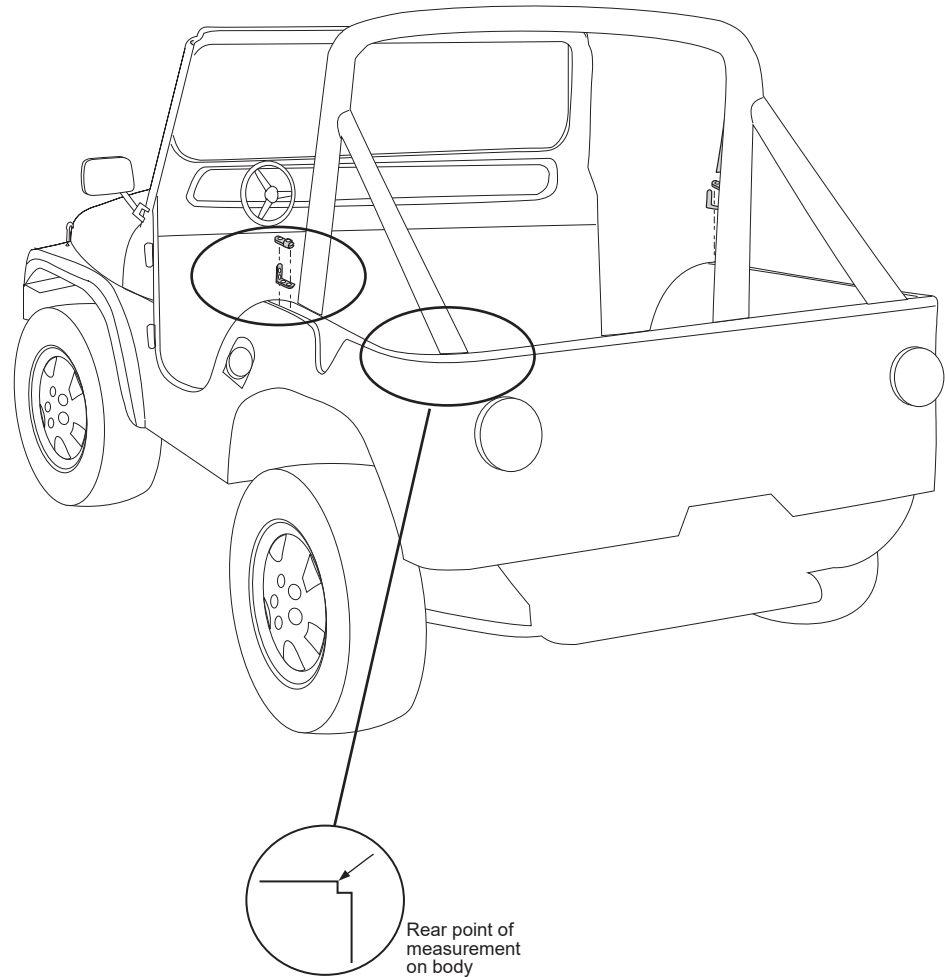
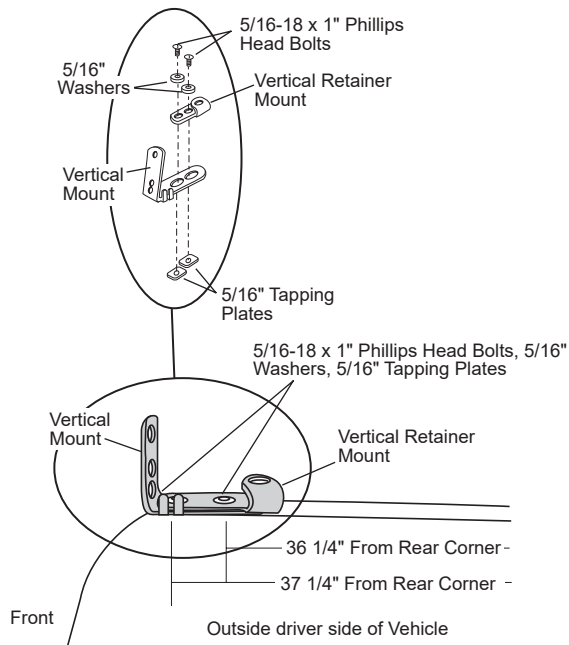
### Section 3 Install Vertical Retainer Mounts

Measure 36 1/4" and 37 1/4" along the top edge of the body from the rear corner. Mark these locations with a pencil. Center punch and drill a 3/8" hole in each location. Install a Vertical Mount and a Vertical Retainer Mount with the Vertical Retainer Mount on top. Secure them in place with two 5/16-18 x 1" Phillips Head Bolts, two 5/16" Washers, two 5/16" Tapping Plates.



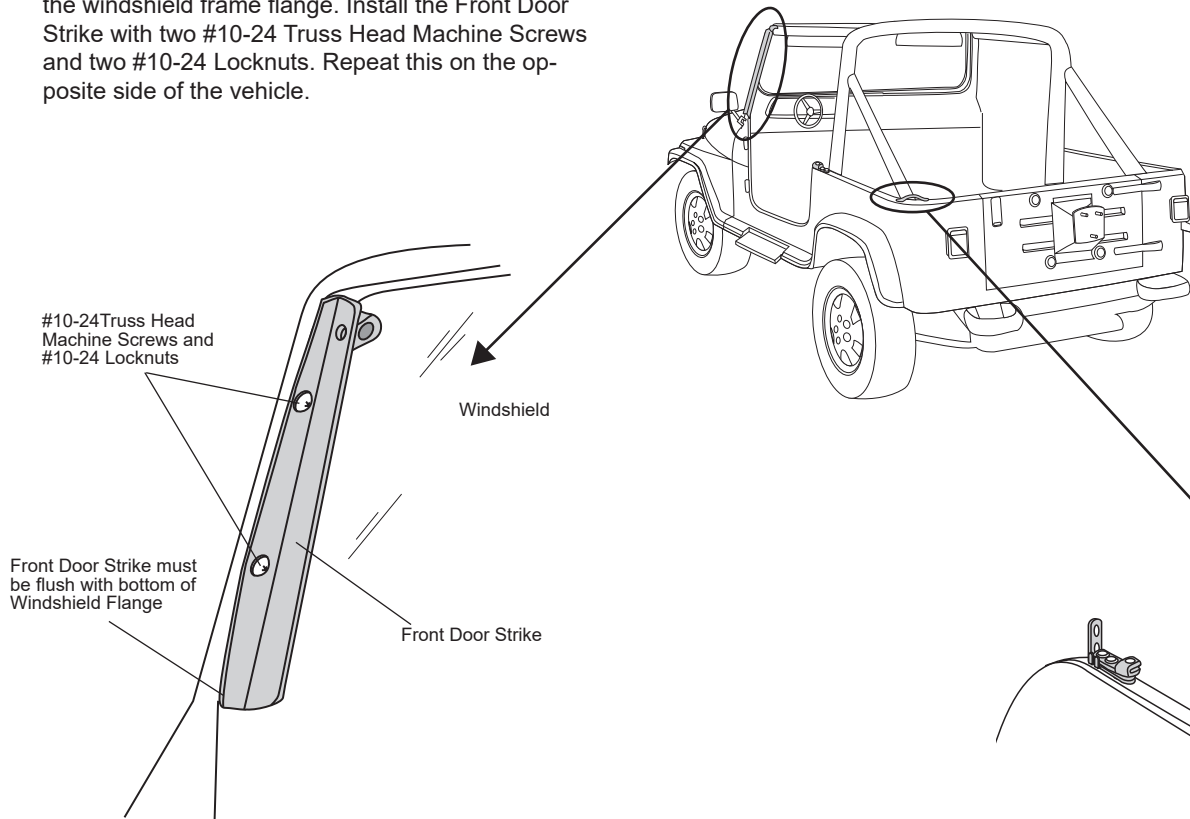
#### CAUTION

When drilling in the top edge of the vehicle body, check underneath for wiring for the rear lights. Pull the wiring out of the way before drilling.



### Install Front Door Strikes

Place the Front Door Strike on the outside flange of the windshield and flush with the bottom of the flange. Use the Front Door Strike as a template to mark, center punch and drill two 7/32" holes in the windshield frame flange. Install the Front Door Strike with two #10-24 Truss Head Machine Screws and two #10-24 Locknuts. Repeat this on the opposite side of the vehicle.

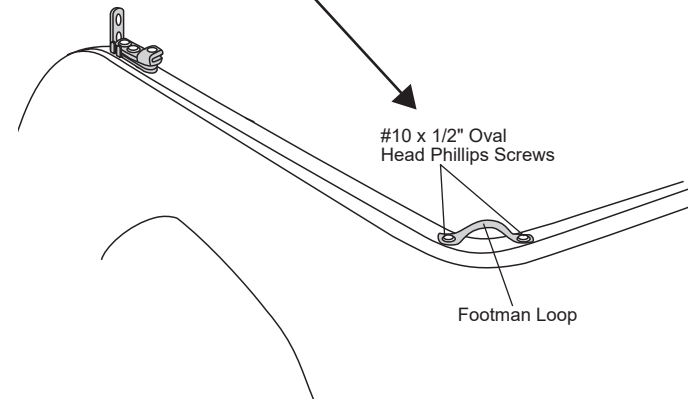


### CAUTION

When drilling in the top edge of the vehicle body, check underneath for wiring for the rear lights. Pull the wiring out of the way before drilling.

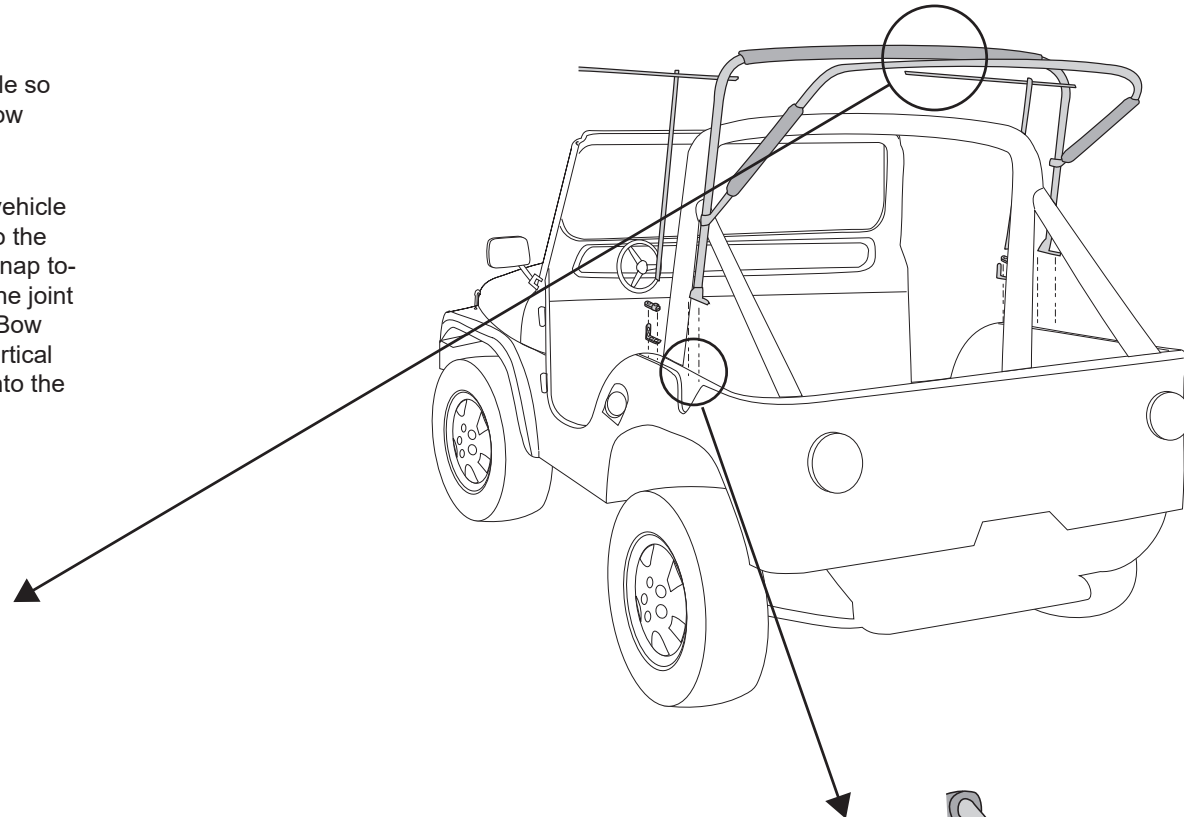
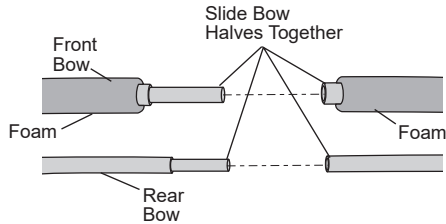
### Install Footman Loops

Install the Footman Loops on the rear corners of the vehicle. Center the loops over the Phillips Head Bolt on the top, rear corner on each side of the vehicle. Use the loop as a template to mark, center punch and drill two 5/32" holes. Install the Footman Loop with two #10 x 1/2" Oval Head Phillips Screws. Do this on both sides of the vehicle.



**NOTE** It may be helpful to have two people so that one person can support the bow halves while they are installed.

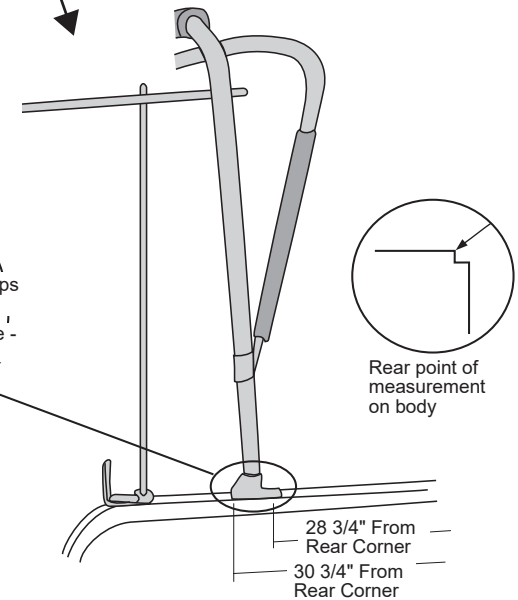
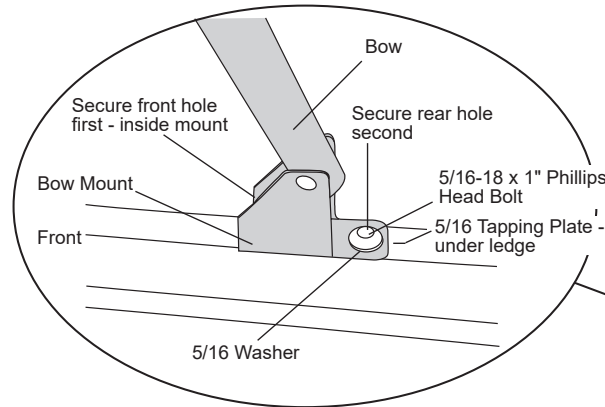
With the bow halves lying on the rear of the vehicle body, start the male end of one assembly into the female end of the other assembly until they snap together. Slide the foam halves together over the joint in the bow until they touch. Rotate the Front Bow forward and slip the Vertical Rods into the Vertical Retainer Mounts. Insert the Horizontal Rod into the plastic assembly on the Front Door Striker.



**CAUTION** When drilling in the top edge of the vehicle body, check underneath for wiring for the rear lights. Pull the wiring out of the way before drilling.

**Install Bow Assembly**

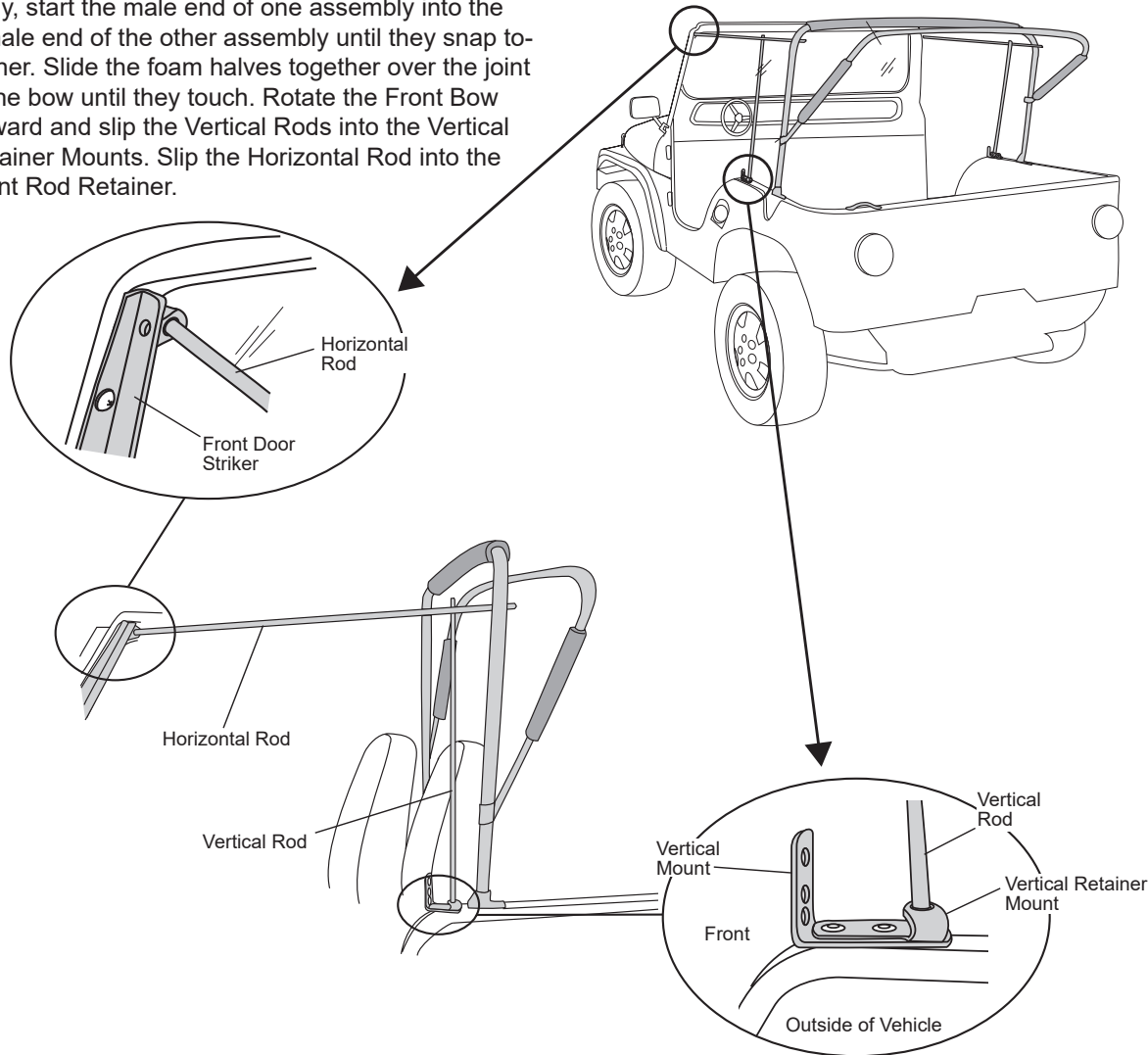
Measure 28 3/4" and 30 3/4" along the top edge of the body from the rear corner. Mark these locations with a pencil. Center punch and drill a 3/8" hole in each location. Secure the front hole in the Bow Mount with a 5/16-18 x 1" Phillips Head Bolt, a 5/16" Washer and a 5/16" Tapping Plate. Once the front hole is secure, raise the bow assembly up and secure the rear hole in the mount.





**Secure Bow Assembly**

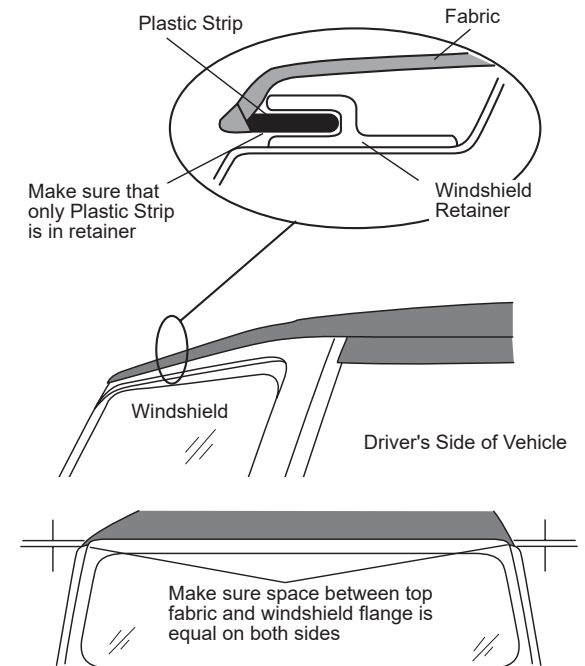
With the bow halves lying on the rear of the vehicle body, start the male end of one assembly into the female end of the other assembly until they snap together. Slide the foam halves together over the joint in the bow until they touch. Rotate the Front Bow forward and slip the Vertical Rods into the Vertical Retainer Mounts. Slip the Horizontal Rod into the Front Rod Retainer.



**Install Top on Vehicle**

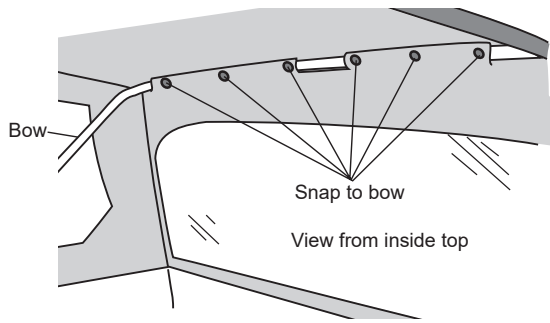
Locate the top and orient it on the vehicle. Drape the top over the bows and insert the plastic strip along the front edge of the top into windshield retainer. Center the front of the deck on the vehicle so that it is an equal distance from the top of the windshield flange on both sides. Locate the Buckle Straps in the parts kit. Wrap each strap around the corners of the Rear Bow and snap the straps to themselves. These straps will hold down the Rear Bow when the Rear Curtain and Side Panels are rolled up.

**NOTE** For best possible installation, check to make sure that the soft top is perfectly centered on the vehicle.



**Snap Top to Rear Bow**

Snap the flaps to the six studs on the rear bow.

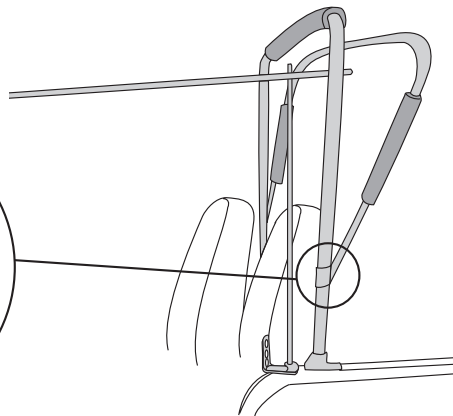
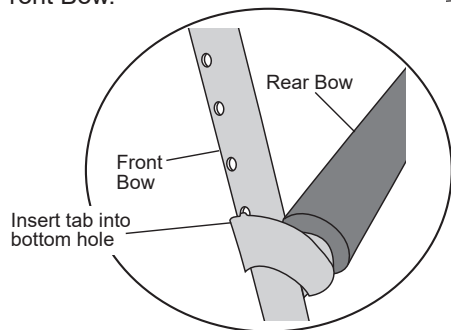


**NOTE IMPORTANT:** The following steps are extremely important to the fit of the top and will require two people.

Make sure that the top is as warm as possible before continuing with the installation.

**Adjust Tension on Top**

Close the zippers on the Rear Curtain. Slide the Rear Bow up on the Front Bow and insert the small bent tab into the bottom of the four holes in the Front Bow.

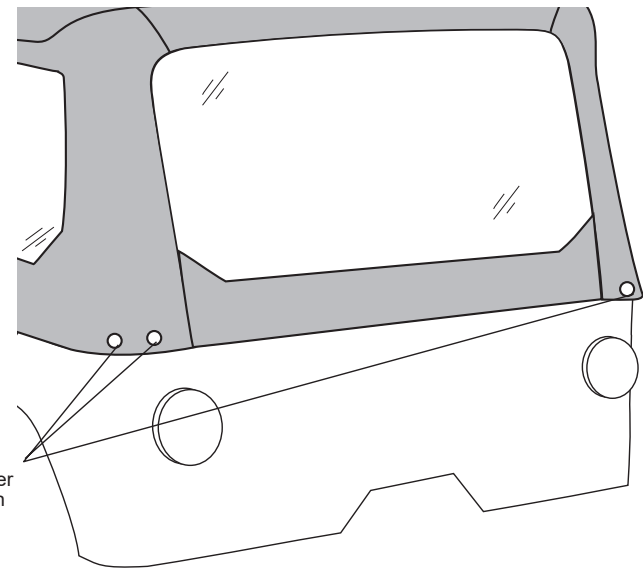


**Install Rear Corner Snaps**

Rub chalk on the snaps on the inside of the top to mark the stud locations. Have one person pull down on the Rear Bow while the other person pulls the fabric down and to the rear to locate the Rear Corner Studs. The studs should be located 3/4" below the top of the body.

When you are satisfied with the tightness of the top, press the snaps against the body. The chalk will leave marks for the Body Stud locations. Center punch the marks and drill a 3/32" hole at each marked location. Install a Body Stud with a #6 x 3/8" Sheet Metal Screw at each location. Snap the top to the Rear Corner Studs.

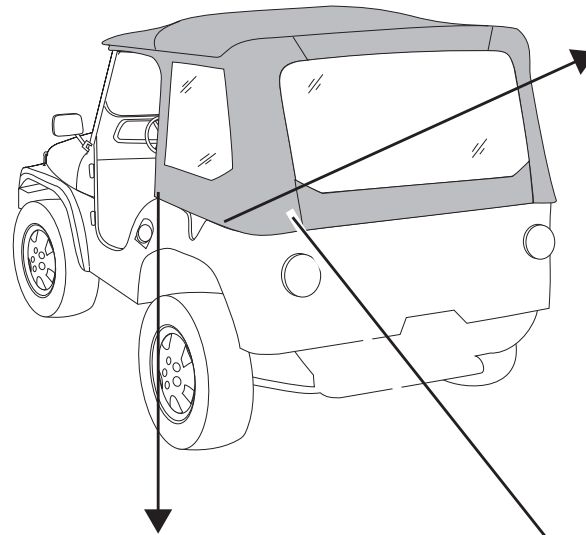
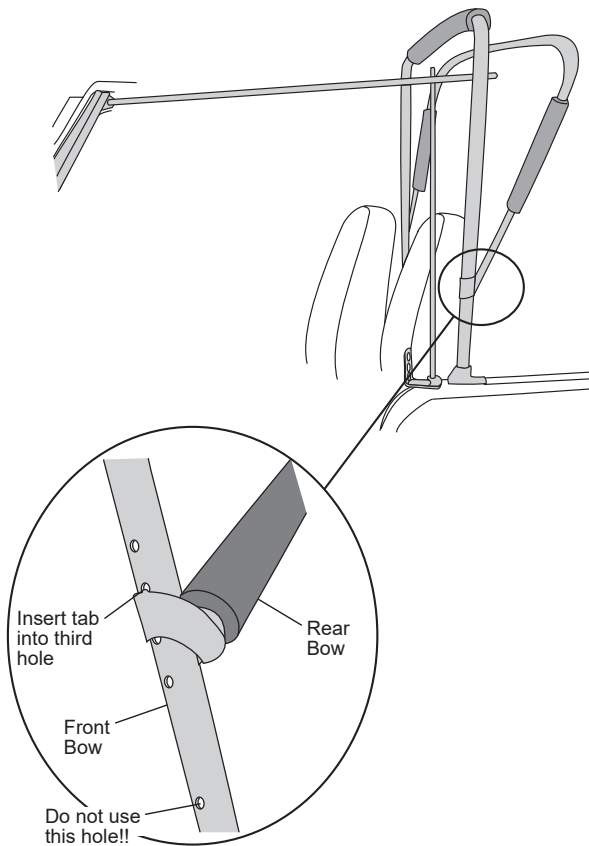
**NOTE** If the top is extremely tight, slip the tab into the bottom hole. The top will loosen up after a few hours in the sun. Then the tab may be moved up into a higher hole position.



**Raise the Rear Bow**

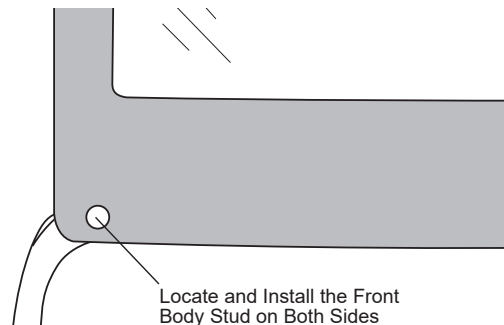
Slide the Rear Bow up on the Front Bow and insert the small bent tab into the third hole from the bottom in the Front Bow.

**NOTE** If the top is extremely tight, slip the tab into the bottom hole. The top will loosen up after a few hours in the sun. Then the tab may be moved up into a higher hole position.



**Install Front Snaps**

At the front of the Side Panel, pull the fabric down and forward to eliminate wrinkles. Mark, center punch and install a Body Stud as before 3/4" below the top edge of the body. Do this on both sides of the vehicle.



**Install Remaining Snaps**

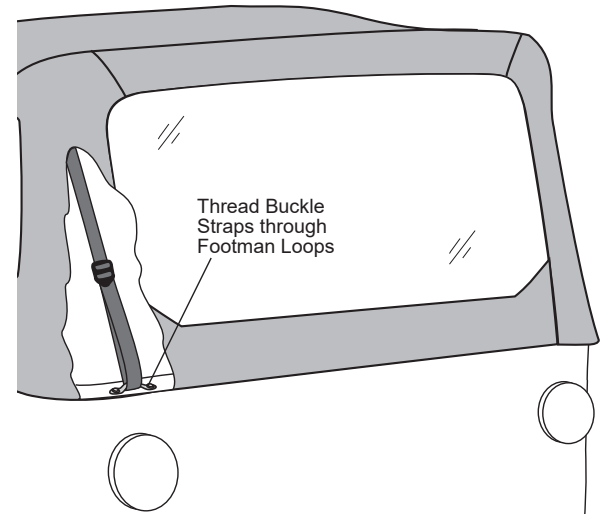
Install the remaining Body Studs on the Side Panels and the Tailgate. Alternate from side to side as you install the studs. Snap the top to each new stud to keep the tension on the top spread evenly.

**NOTE Important:** At the bottom of the Rear Curtain, there is a flap with five snaps. This flap allows this top to adapt to vehicles that have tailgates as well as to those that do not have tailgates.

If you have a vehicle with a flat tailgate or with no tailgate, use the snaps on the bottom of the Rear Curtain. If you have a tailgate with an extrusion on the top, use the snaps on the flap.

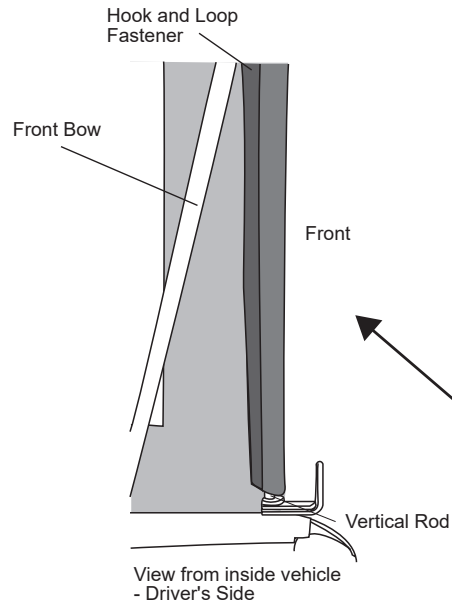
**Secure Buckle Straps**

Thread the Buckle Straps, on the Rear Bow, through the Footman Loops. Pull them up and thread them through the buckle.



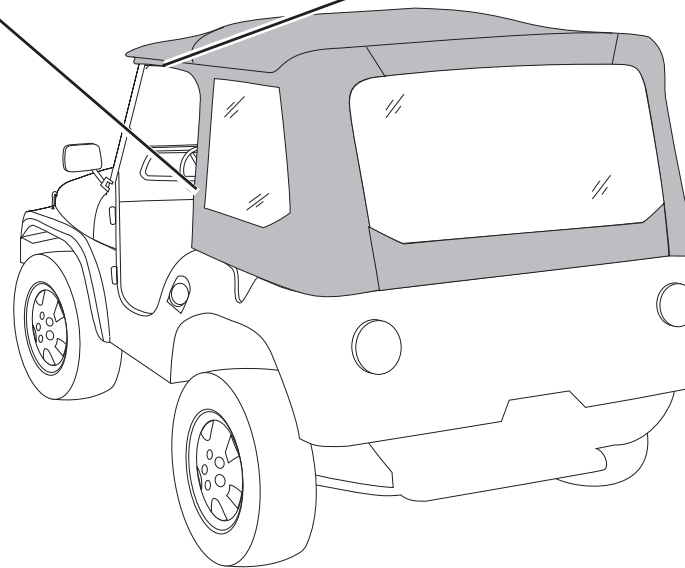
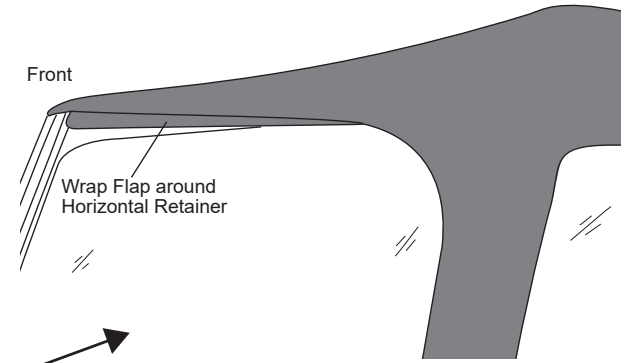
### Secure Front of Side Curtain

Wrap fabric flap on the front of the side curtain around the Vertical Rod (not the front bow) and fasten the hook and loop strips to each other.



### Secure Door Flaps

Wrap the flap, sewn to the top above each door, around the Horizontal Rod and fasten the hook and loop strips to each other.



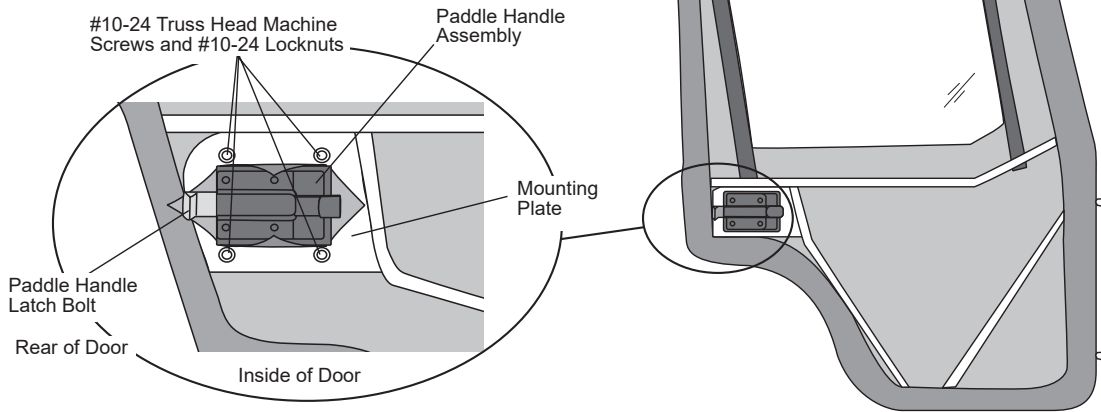


**WARNING**

The doors in this product are designed only for protection against the elements. Do not rely on the doors to contain occupants within the vehicle or to protect against injury during an accident. Door handles are only designed to aid in door closure. Door and handle will not support a person's weight.

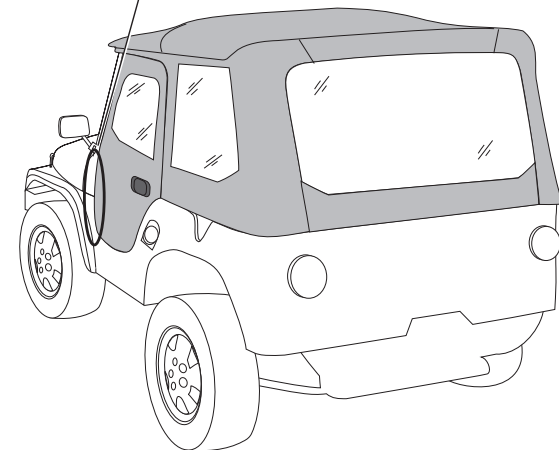
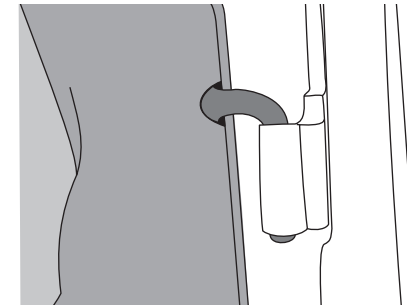
**Install Paddle Handle on Door**

Locate the pre-cut "X" in the door panel where the Paddle Handle will fit into the mounting plate on the door frame. Fold the pre-cut fabric back and insert the Paddle Handle into the mounting plate so that the latch mechanism is inside of the vehicle and the latch bolt is toward the rear of the door. Align the four holes in the Paddle Handle Assembly with the four holes in the mounting plate. Use a pointed tool to punch four holes in the fabric to match the holes in the Paddle Handle and the mounting plate. Insert four #10-24 Truss Head Machine Screws from the outside and secure them with #10-24 Locknuts. Do not tighten the screws until all four are in place. Trim the excess fabric around the Paddle Handle. Repeat for both doors.



**Install Doors on Vehicle**

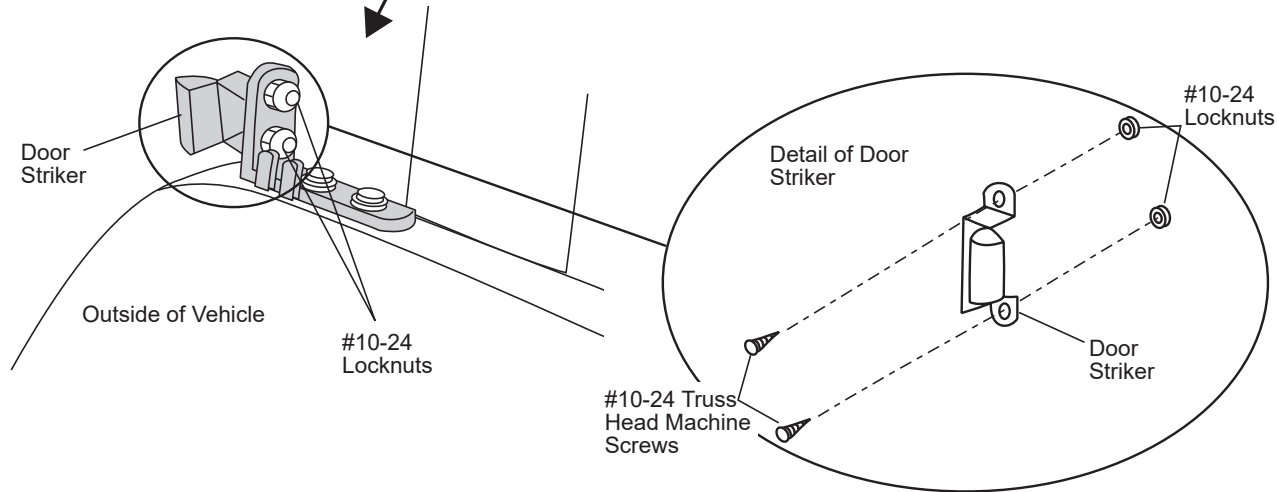
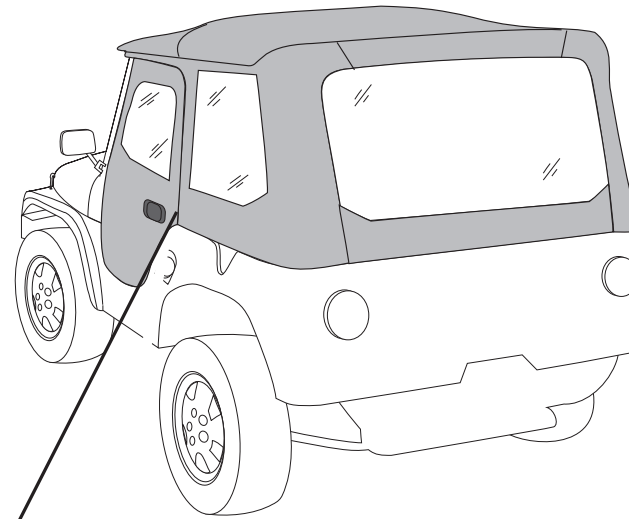
Hold the door straight out from the vehicle with the hinge pins over the body hinges. Lower the pins into the hinges. Make sure that the pins are fully inserted into the body hinges. Close the door and check all sides to make sure that it fits properly against the body.



### Install Door Strikers on Vehicle

Close the door against the body and place the Door Striker behind the Paddle Handle Latch with the flat surface to the inside of the vehicle and with the raised end toward the top. Mark, center punch and drill two 7/32" holes. Install the Door Striker with two #10-24 Truss Head Machine Screws and two #10-24 Locknuts. The Door Striker may be adjusted in or out until you are satisfied with the way the door shuts and opens. Repeat on both sides of the vehicle.

**NOTE** Close the door and check all sides to make sure that the door fits properly against the body. If necessary, the door may be bent slightly to fit the contour of the vehicle body. The tension of the door may be adjusted by adjusting the handle.





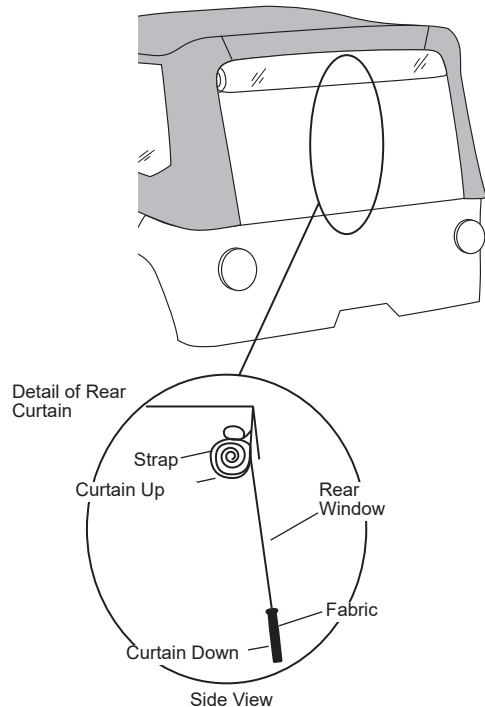
## WARNING

When operating the vehicle with the rear window open, one or more door windows should be open for proper ventilation.

### Adjusting the Top

#### Rear Curtain

To roll up the Rear Curtain, start at the bottom and roll it to the inside. Avoid wrinkles in the fabric and window. Secure it in place with the curtain straps inside of the top.



### Folding the Top Down

Unsnap the Rear and Side Curtains and open the Rear Curtain zippers. Fold the Side Curtains up onto the top and release the hook and loop fasteners on the flaps, above the doors. Unsnap the top from the rear bow.

Release the locking tabs on the Bow Releases from the holes in the bow and slide the rear bow down to the Bow Mounts. Release the Horizontal Rod from the Front Rod Retainers. Remove the Vertical Rod from the Vertical Retainer Mount and lay the bow assembly down on the rear of the vehicle.

Unfasten the top from the windshield and lay it down on the body. Make sure that the rear corners of the top are tucked under the rear bow. Fold the top in half from front to back and continue folding until the top is about 1 foot wide at the rear of the vehicle. Secure the Vertical Retainers and the Horizontal Rods by clipping them into the Rod Retainers on the Bow Mounts. Secure the rear of the bow assemblies by snapping the Bow Tie Down Straps to a Corner Body Stud.

### Removal of Soft Top for Open Air Driving

When operating the vehicle with the fabric top removed, it is very important that the supporting hardware system be disconnected from the windshield bracket and folded flat to the rear of the vehicle. The vertical and horizontal rods should be snapped into the plastic clips located on the inside of both bow mount brackets. Wrap the elastic straps around the bows and snap them to the body studs. Never operate the vehicle with the fabric removed and the hardware in the fully erected position.



## Care and Maintenance of your Bestop Product

Your Bestop product is made of the finest materials available. To keep it looking new and for the maximum possible wear, it will need periodic cleaning and maintenance.

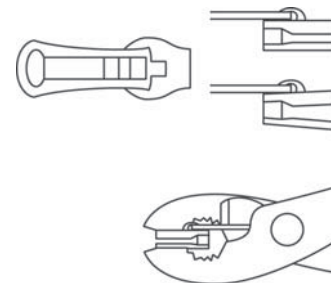
**Fabric:** The fabric should be washed often using soap, warm water and a soft bristle brush. Rinse with clear water to remove all traces of soap. Bestop recommends using Bestop Cleaner (part no. 11201-00) and Bestop Protectant (part no. 11202-00) for Vinyl fabric and Bestop Twill Protectant (part no. 11207-00) for Twill fabric. Bestop Cleaner and Bestop protectant are specially formulated to provide a total cleaning and protection system. Bestop Cleaner safely removes the toughest stains, will not harm vehicle finishes, is biodegradable and environmentally friendly. Bestop Protectant protects against UV-fading, cracking and hardening, and repels dust, grease, dirt and mildew.

**Windows:** Keep windows clean to avoid scratching. DO NOT use a brush on the windows! Wash with a water-soaked cloth or sponge and a mild dishwashing detergent. Bestop recommends Bestop Vinyl Window Cleaner (part no. 11203-00), which safely cleans and protects vinyl windows and helps prevent UV damage. NEVER WIPE THE WINDOWS WHEN THEY ARE DRY. Be careful when cleaning snow or frost from the vinyl windows since they are easily scratched and may crack at low temperatures. DO NOT roll the sides or rear window in cold weather. The windows become stiff and will crack. Cracks caused by misuse in cold temperatures are not covered under warranty.

**Water:** Seeping through at the seams may be stopped by applying 3-M Scotchgard® on the inside of the seams.

**Snaps:** Keep snaps cleaned and lubricated with silicone to help prevent snaps from sticking to the studs. If a snap does become stuck to a stud, use a screwdriver and GENTLY pry apart to prevent permanent damage to the snap or the top fabric.

**Zippers:** Keeping zippers cleaned and lubricated with Bestop's Zipper Cleaner (part no. 11206-00) will help prevent damage and keep the zippers in smooth working condition. If a zipper opens behind the slider, the slider may have been spread apart. This problem can usually be repaired by using an ordinary pair of pliers to bring the sides back into parallel. Return slider to the end of the zipper in the normal Open position. Squeeze lightly at first and test the zipper. If the zipper continues to remain open squeeze more firmly with the pliers and try the zipper again. Repeat this procedure until the zipper operates correctly.



Normal Slider-  
Jaws Parallel

Damaged Slider-  
Jaws spread apart  
(Sometimes broken)

**For Bestop Warranty Information, Please go to;**  
<https://www.bestop.com/help/warranty-information/>

