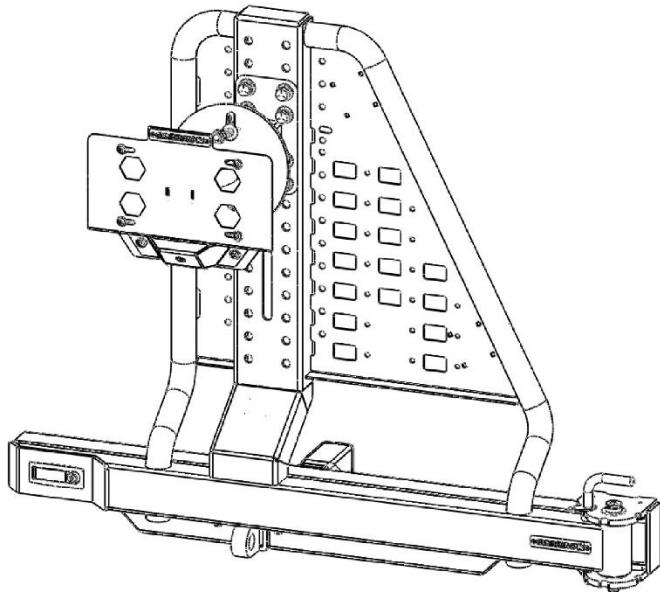


GORRHINO®

INSTALLATION INSTRUCTIONS



PART NO.

- HC200T

PRODUCT DESCRIPTION:

- Swing-A-Way Hitch Mount Tire Carrier

APPLICATION:

- Universal

PRODUCT SAFETY & LEGAL DISCLAIMER

- **IMPORTANT READ ALL INSTRUCTIONS CAREFULLY BEFORE INSTALLING, FAILURE TO DO SO MAY CAUSE PERSONAL INJURY OR DAMAGE TO PRODUCT AND/OR PROPERTY.**
- **Review the product package and contents prior to beginning the installation.** Take care when opening the packaging and removing items. If a return is needed you will want to return the product in its original packaging if possible.
- This instruction guide is provided as a GENERAL installation guide, some vehicles vary dimensionally and may require additional steps.
- Test fit the product on the vehicle prior to any third party modifications and or finishing. The manufacturer and/or distributors do not accept responsibility for third party charges, labor and or third part replacement modifications. Some modifications may void the factory warranty.
- Exercise due-diligence when installing this product. The manufacturer and distributors of this product do not accept any responsibility for vehicle damage or personal injury resulting from the installation of this product. Careless installation and operation can result in serious injury or equipment damage.
- This product is for general off-road use. All liability for installation and use rests with the owner/operator.
- **INSTALLER:** Once installation is complete, please return this guide along with other documentation included in this product back to the consumer for future reference. The manufacturer/distributors of this product do not guarantee this particular version will be available at a later date.

© 2016 Go Rhino Products. All rights reserved

www.gorhino.com

589 W. Apollo St., Brea, CA 92821

P: 888 427 4466



INSTALLATION INSTRUCTIONS

INJURY HAZARD

Please complete a shop and tool inspection prior to beginning the installation.

- Always make sure you have a clean, dry and well lit work area.
- Always remove jewelry, loose fitting clothing and wear protective gloves and eye protection.
- Always use extreme caution when jacking or raising a vehicle for work. Set the emergency brake and use tire/wheel blocks and jack stands. Refer to the vehicle manufacturer hand book. Utilize the vehicle manufacturers designated lifting points.
- Always use appropriate and adequate care in lifting parts during disassembly and installation. Seek help in lifting heavy or large items into place. Utilize jacks and or lifting devices when available.
- Always insure products are secure during disassembly and installation.
- Always wear eye protection and take steps to protect any exposed skin during the installations. Drilling, cutting and grinding plastic and metal may create flying particles that can cause injury.
- Always use extreme caution when drilling, cutting and or grinding on a vehicle. Thoroughly inspect the area to be drilled, on both sides of material, prior to modification and relocate any objects that may become damaged.
- Always assemble and tighten all fasteners per the installation instructions.
- Always route electrical cables carefully. Avoid moving parts, parts that may become hot and rough or sharp edges.
- Always insulate and protect all exposed wiring and electrical connections.

MAINTENANCE AND CARE

- Always perform regular inspections and maintenance on mounts and related fasteners.
- Periodically check and tighten all fasteners.
- Stripped, fractured, or bent fasteners must be replaced.
- After washing the vehicle make sure to fully dry all surfaces.
- In areas with cold temperatures make sure to wash the product often to remove harmful materials used on road ways.
- Never use abrasive cleaners or polish compounds. Clean with a gentle soap and water. If you use wax use a non-abrasive automotive wax such as pure carnauba wax.

WARNING

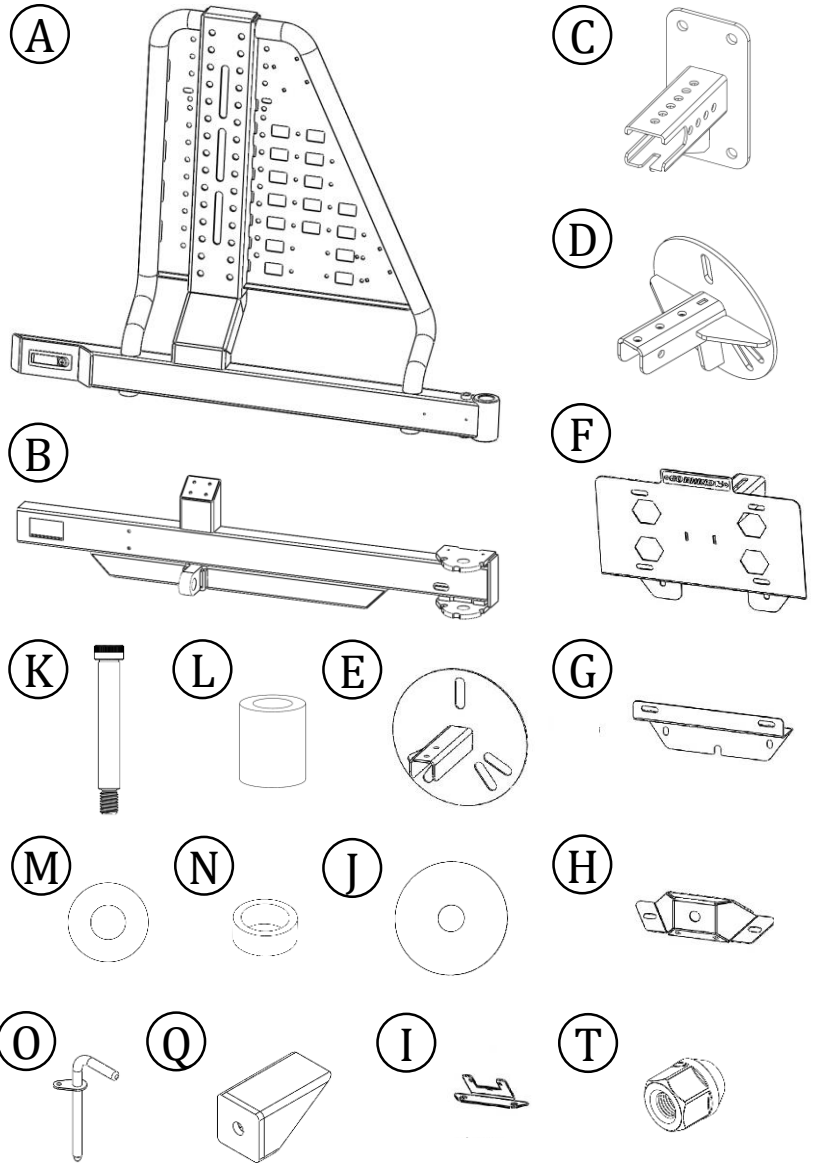
Some products have been designed to work together with factory rear sensor systems, factory forward facing sensor systems and factory air bags.

- Installation of some of these products may alter the factory sensor system performance.
- Factory sensors may read shackles or hooks protruding from the fairlead and or tow hooks.
- All sensor testing is completed by Go Rhino Products and or third party testing labs on modified vehicles.
- Sensor sensitivity, factory sensor housing, orientation, and operating conditions are all variables that will influence functionality of the sensors.
- Installation of some product may effect the factory air bag systems.
- Some products allow the use of third party products such as winches, shackles, hooks, etc. Follow the respective manufacturers operating instructions for use with our products.
- Make sure to fully understand the product, it's intended use and operation prior to use.
- Above all... be safe!

GO RHINO®

INSTALLATION INSTRUCTIONS

PARTS LIST		
ITEMS	QTY	DESCRIPTION
A	1	Swing-A-Way Arm
B	1	Hitch Base
C	1	Mount Extension
D	1	Mounting Flange
E	1	Extension Flange
F	1	License Plate Holder
G	1	Housing Bracket
H	1	Camera Housing
I	1	Backup Camera Bracket
J	3	Thin Plastic Retainer
K	1	SS Large Shoulder Bolt
L	2	Large Friction Bearing
M	2	Thrust Washer
N	2	Small Friction Bearing
O	1	Locking Pin
P	6	Bumper Pads
Q	1	Wedge Slider
R	2	SS Large Washer
S	1	Friction Strip
T	3	Lug Nuts



TOOLS NEEDED FOR INSTALLATION:

- Wrench Set (7/16", 1/2", 9/16", 3/4", and 15/16").
- Allen Keys (5/32, and 3/8)

ESTIMATED TIME FOR INSTALLATION:

1 - 2 hours

If you need installation service for your new product, call the authorized distributor from whom you purchased the product or an authorized installation service company which can be found by calling toll free 1-888-427-4466



INSTALLATION INSTRUCTIONS

PARTS LIST		
ITEMS	QTY	DESCRIPTION
1	1	Hex Head Bolt (3/8" x 5")
2	2	Split Washer (3/8")
3	2	Flat Washer (3/8")
4	1	SS Shoulder Bolt (1/2" x 4 1/2", Thread 5/8-18 x 7/8")
5	1	SS Split Lock Washer (5/8")
6	1	SS Hex Nut (5/8")
7	4	Hex Bolt (1/2" x 1 1/2")
8	8	Flat Washer (1/2")
9	4	Split Lock Washer (1/2")
10	4	Hex Nut (1/2")
11	3	Hex Head Bolt (5/16" x 3/4")
12	3	Split Lock Washer (5/16")
13	3	Flat Washer (5/16")
14	1	Hex Head Bolt (3/8" x 3")
15	1	Hex Nut (3/8")
16	3	SS Carriage Bolts (1/2" x 2 3/4")
17	3	SS Split Lock Washer (1/2")
18	3	SS Hex Nut (1/2")
19	8	Button Head Screw (1/4"-3/4")
20	4	Hex Head Bolt (1/4"-3/4")
21	20	Flat Washer (1/4")
22	10	Split Washer (1/4")
23	10	Hex Nut (1/4"-20)
24	3	Small Socket Head Bolt (18-8)
25	3	Small Hex Nut (18-8)
26	3	Flat Washer (1/2")

Go Rhino recommends you, the installer, read this installation instruction manual from front to back before installing the product. You may also [click here](#) to view an installation video or visit <http://www.gorhino.com/Installation-Videos>.

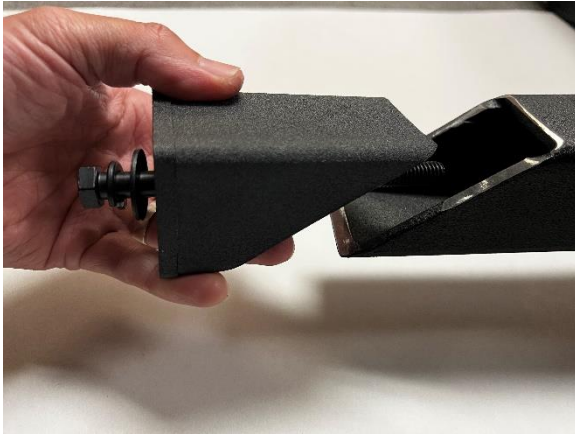
If you need installation service for your new product, call the authorized distributor from whom you purchased the product or an authorized installation service company which can be found by calling toll free 1-888-427-4466

GO RHINO®

INSTALLATION INSTRUCTIONS

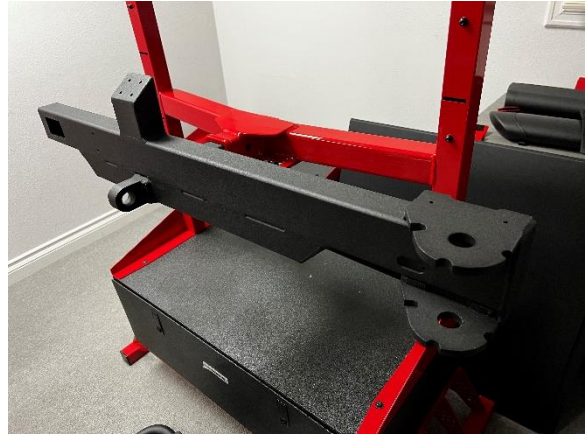
STEP #1

Attach the Wedge Slider (Q) onto the Hitch Tube (B) with hardware (1,2, and 3). Leave the activating bolt loose



STEP #2

Insert the Hitch Base (B) into the vehicle's 2-inch receiver.



STEP #3

Align holes and insert a hitch pin. The Tire Carrier should be set as close to the vehicle as possible.



STEP #4

Turn the bolt head clockwise to engage the hitch-stabilizing mechanism.

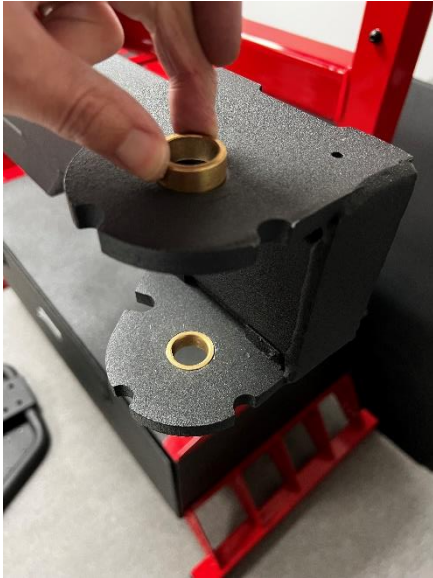


GORRHINO®

INSTALLATION INSTRUCTIONS

STEP #5

Insert top and bottom Small Friction Bearings (N).



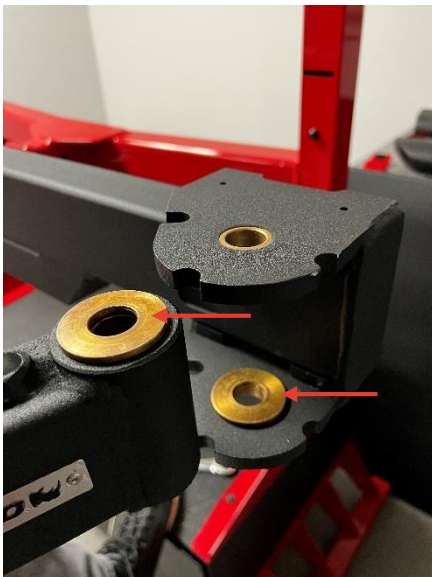
STEP #6

Insert upper and lower Large Friction Bearing (L) into Swing-a-Way Arm (A).



STEP #7

Place Thrust Washers (M) into position. Then carefully slide the arm into position.



STEP #8

With the arm in place and the bearings aligned, insert the Shoulder Bolt (K) with a large washer (R). Once fully inserted, another large washer (R), a split washer (5), and a hex nut (6) follow from underneath.



GO RHINO®

INSTALLATION INSTRUCTIONS

STEP #9

Select the desired height and attach the Mount Extension (C) with the provided hardware (7, two 8's, 9, and 10)



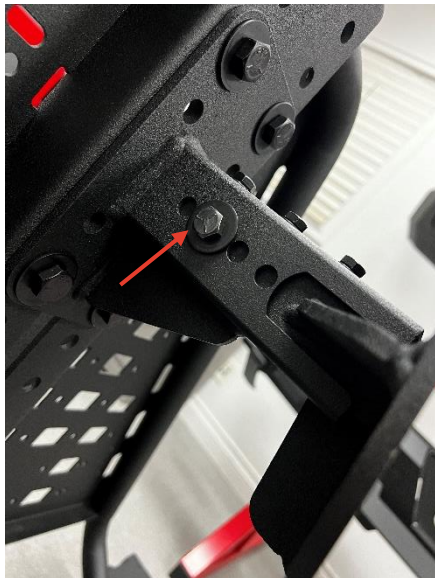
STEP #10

Insert the Mounting Flange (D) into the Extension and set it to the position that best accommodates the wheel. Attach using hardware (11, 12, and 13) and leave loose.



STEP #11

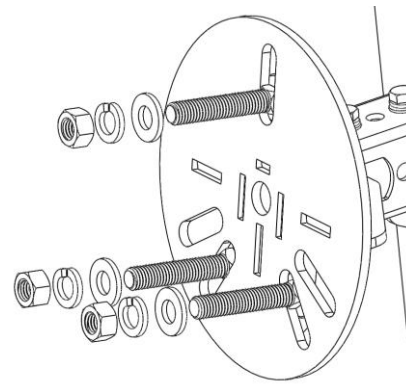
Install the supplied bolt and fasteners (14, 2, two 3's, and 15). Then tighten the three bolts previously installed.



STEP #12

If the vehicle's license plate or the backup camera is blocked by the newly installed Tire Carrier skip this step and continue to Step 13.

Insert Carriage Bolts (16) through the flange slots and extension with threads protruding out. Measure your wheel's bolt pattern and install the Carriage Bolts (16) with the provided hardware (26, 18, and 17) to match.



GO RHINO®

INSTALLATION INSTRUCTIONS

STEP #13

Skip this step if the license plate or back up camera are not blocked by the Tire Carrier.

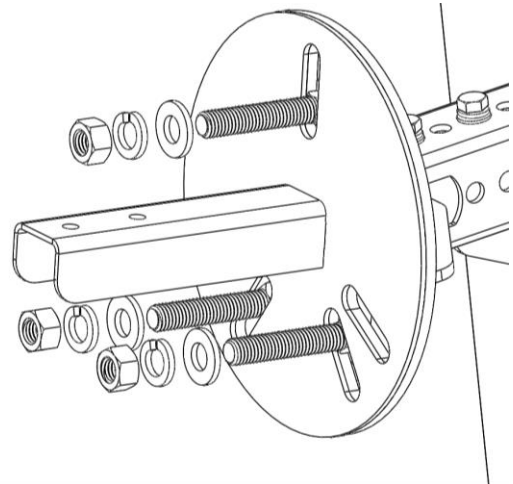
Option A

Place the Extension Flange (E) into position. Insert Carriage Bolts (16) through the flange slots and extension with threads protruding out. Slide Plastic Retainers (J) over the bolt threads to hold bolts in place.



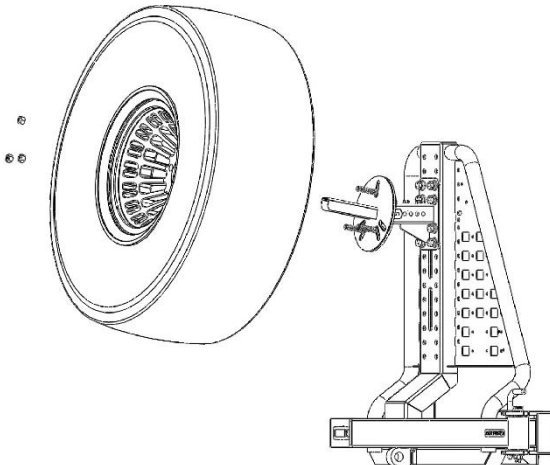
Option B

Place the Extension Flange (E) into position. Insert Carriage Bolts (16) through the flange slots and extension with threads protruding out. Measure your wheel's bolt pattern and install the Carriage Bolts (16) with the provided hardware (26, 18, and 17) to match.



STEP #14

To prevent injury and/or damage to yourself or the product, two or more people are required to perform this step. Place the wheel in position and secure it with the provided Lug Nuts (T).



If there is no obstruction with vehicle's license plate or backup camera the installation is COMPLETE.

STEP #15

Slide License Plate Holder bracket (F) into position and attach using the provided hardware (20, 21, and 22). Note that the wheel is not pictured below but should be installed prior to this step.





INSTALLATION INSTRUCTIONS

If the vehicle's backup camera is obstructed by the tire carrier continue to the next step for instructions on relocating the camera. If the vehicle is not equipped with this feature or the camera is not obstructed by the tire carrier then the installation is complete.

STEP #16

Follow the vehicle's manufacture approved method to remove the original backup camera. The backup camera wiring harness will need to be extended to reach its new mounting location.

Reference Image C for an overview of the wire harness route. Enter the tire carrier by inserting the wire harness end through an opening in the backside of the stationary crossbar ((Reference Image D). Run the wires along the crossbar and through the slot near the hinge (Reference Image E). Feed the wire across the front swinging arm and then up through the center slot (Reference Image F). Next, run the wire harness up the vertical channel and insert it into a slot (Reference Image G). Finally, run the wire straight through the wheel mounting assembly and exit at the mounting flange (Reference Image H).

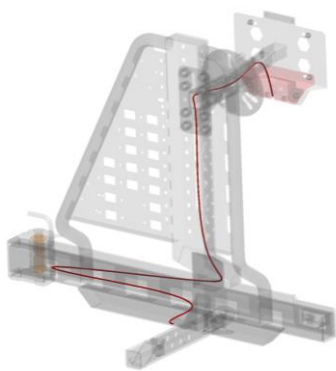


Image C

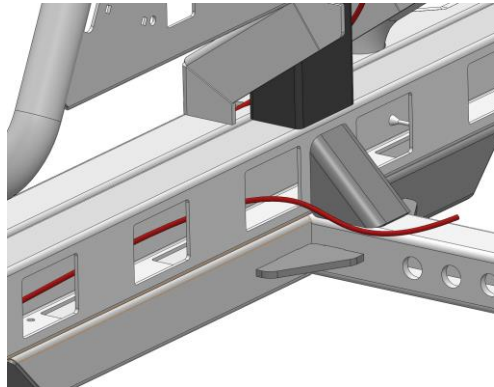


Image D

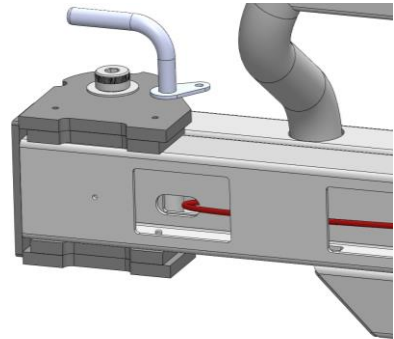


Image E

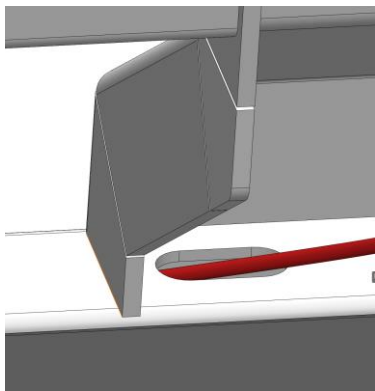


Image F

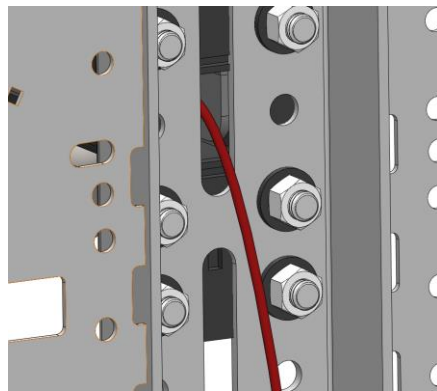


Image G

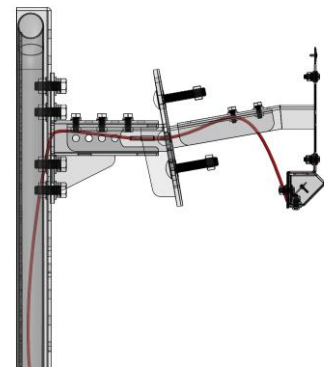


Image H

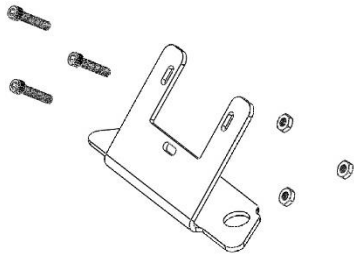
GORRHINO®

INSTALLATION INSTRUCTIONS

STEP #17

After routing the harness and rewiring the original backup camera, mount it onto the provided Camera Bracket (I). Use hardware (24 and 25)

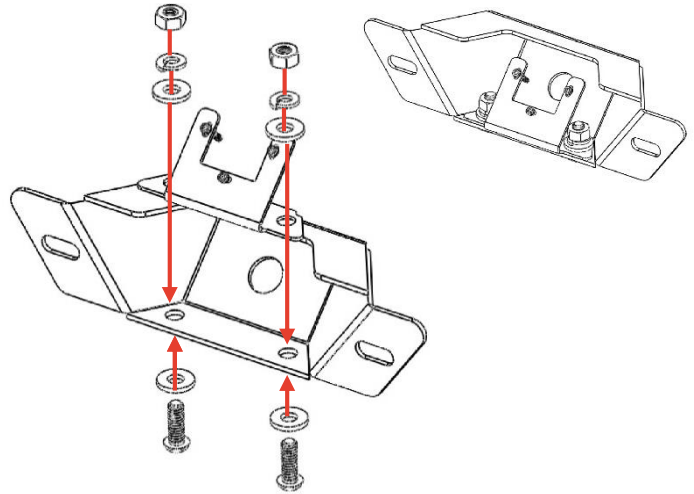
(Note, the bracket pictured below may differ from the mounting bracket for your application.)



* Backup camera not displayed here

STEP #18

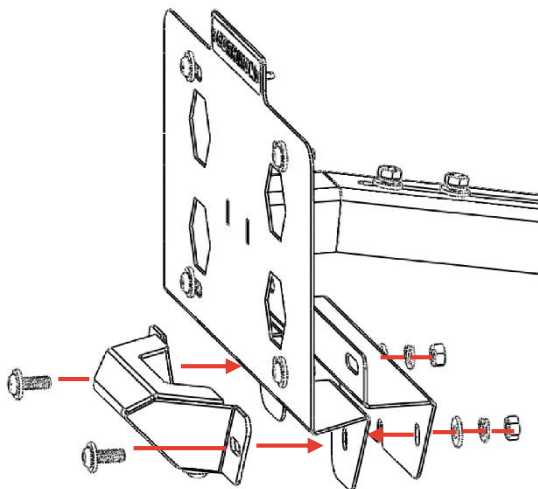
Attach the backup camera and Camera Bracket (I) onto the Camera Housing (H) using the provided hardware (19, two 21's, 22, and 23).



* Backup camera not displayed here

STEP #19

Install the backup camera housing assembly onto the License Plate holder using the Housing Bracket (G) and hardware (19, two 21's, 22, and 23).



STEP #20

Attach the Friction Strip (S) underneath the Swing-a-way Arm using hardware (20, 21, and 22).



GORRHINO®

INSTALLATION INSTRUCTIONS

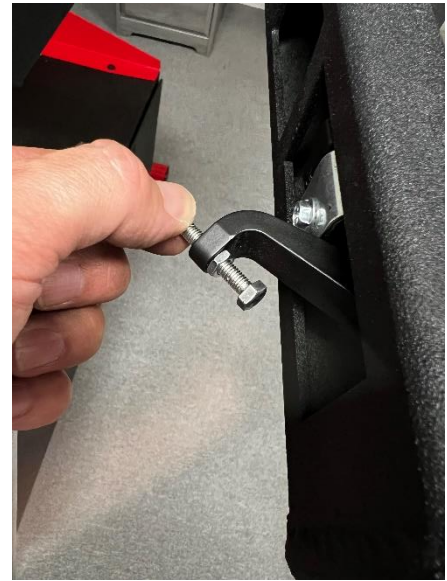
STEP #21

Install 6 Bumper Pads (P).



STEP #22

Adjust Latch for optimal operation.



STEP #24

Insert Locking Pin (O).



Installation Complete





INSTALLATION INSTRUCTIONS

LIMITED WARRANTY

Go Rhino warrants to Buyer that for a period of five (5) years from the date of shipment of the product(s) ("Warranty Period") for black finishes and chrome finishes, that such products will materially conform to the specifications set forth in Go Rhino's specifications in effect as of the date of shipment(s) and will be free from material defects in material workmanship.

Go Rhino warrants to Buyer that for the life of the product(s) from the date of shipment of the product(s) ("Warranty Period") for polished stainless steel finished products purchased after April 2004, that such products will materially conform to the specifications set forth in Go Rhino's specifications in effect as of the date of shipments and will be free from material defects in material workmanship.

Warranty claims must be accompanied with the original invoice and photos of the product. It is the customer's responsibility to clean regularly and protect finish with regular applications of a nonabrasive polish that is compatible with the product's finish.

This warranty covers the cost of the product only and does not include the cost of removal, installation, third party modifications or shipping of the product. In no event shall Go Rhino be liable to buyer or any third party for any damage or harm caused by the product or use thereof, regardless of weather such damages were foreseeable and whether or not Go Rhino has been advised of the possibility of such damages, not withstanding the failure of any agreed or other remedy of its essential purpose. This warranty is void if the product shows signs of alteration, misuse, mishandling, improper care, neglect, improper application and/or damage due to improper installation.

With respect to any such product(s) during the limited warranty period, Go Rhino shall, in its sole discretion, either: (i) provide a one-time repair or replacement of such products (or the defective part) or (ii) credit or refund the price of such products at the pro rata contract rate provided that, if Go Rhino so requests, Buyer shall, at Go Rhino's expense, return such product(s) to Go Rhino. The remedies shall be the Buyer's sole and exclusive remedy and Go Rhino's entire liability for any breach of the limited warrant(ies).

Go Rhino disclaims all other warranties except to the extent that any such warranty cannot be validly disclaimed under applicable law.

Finish Limited Warranty:

Limited lifetime on stainless steel products (after April 2004)

5 year warranty on black powder coat products

5 year warranty on chrome products

This warranty does not cover exposed welds

Finish warranty covers peeling, flaking, or cracking. Washing all finishes regularly with car wash soap and rinsing well with water is the best method for maintaining the finish on your products. You must also protect the finish with nonabrasive automotive wax on a regular basis. The use of any compound which contains abrasives becomes a self-defeating exercise as the compound scratches the finish and opens it to corrosion. The use of harsh chemicals used to remove bugs and tar may also cause the finish to fail and should be avoided.

If you are unsatisfied with your purchase please contact the establishment you purchased the product from.

If you need to place a warranty claim or need assistance, the Go Rhino customer service team will answer any questions you may have. Please contact the Go Rhino customer service team at 1-888-427-4466 during normal business hours Monday thru Friday 7 am to 5 pm PST. You may also email warranty@gorhino.com. In order to better serve you please provide a copy of the original invoice / receipt, a photo of the issue you are experiencing and a photo of the vehicle the product is installed on.

All warranty returns must have an approved RGA number. The RGA number must be clearly marked on the exterior of the return package. All approved warranty returns must be shipped to Go Rhino Products, 1002 Carriers Drive, Laredo, Texas 78045.

PRODUCT REGISTRATION

Please remember to register your new purchase. You may register your product at www.gorhino.com. Registering your product may help speed any future warranty or customer service inquiries.

Thank you again for purchasing from Go Rhino Products

Please take a few minutes to view additional products for your vehicle and more at GORHINO.com
These installation instructions are available on the Go Rhino web site along with installation videos for many of our products.

www.gorhino.com

www.bigcountryauto.com

www.gorhinopd.com