

— PROPRIETARY —
 THIS DOCUMENT CONTAINS CONFIDENTIAL, PROPRIETARY INFORMATION THAT IS FOX PROPERTY. DO NOT DISCLOSE TO OR DUPLICATE FOR OTHERS EXCEPT AS AUTHORIZED BY FOX.

REVISIONS				
ZONE	REV	DESCRIPTION	DATE	APPROVED
	A	PRODUCTION RELEASE	10/31/16	BS
	B	CHANGED PISTON PN ADD O-RING	05/23/19	BS
	C	DRAWING REFORMATTED REMOVED NUT	01/27/21	BS
C3	D	CORRECTED PISTON PART NUMBER (DWG ONLY)	10/31/22	GH
C3 c2	E	CHANGED O-RING WAS: 029-11-029 IS: 029-18-029; ADDED BACKUP WASHERS	2024-04-15	NL/BS

Bearing: External [0.300 W X 5.830 TLG X 0.050 TH, Ø 1.834 Bore]

Seals: O-Ring [(-029) .070 C.S. X 1.489 ID]
 Buna, 90A Dur

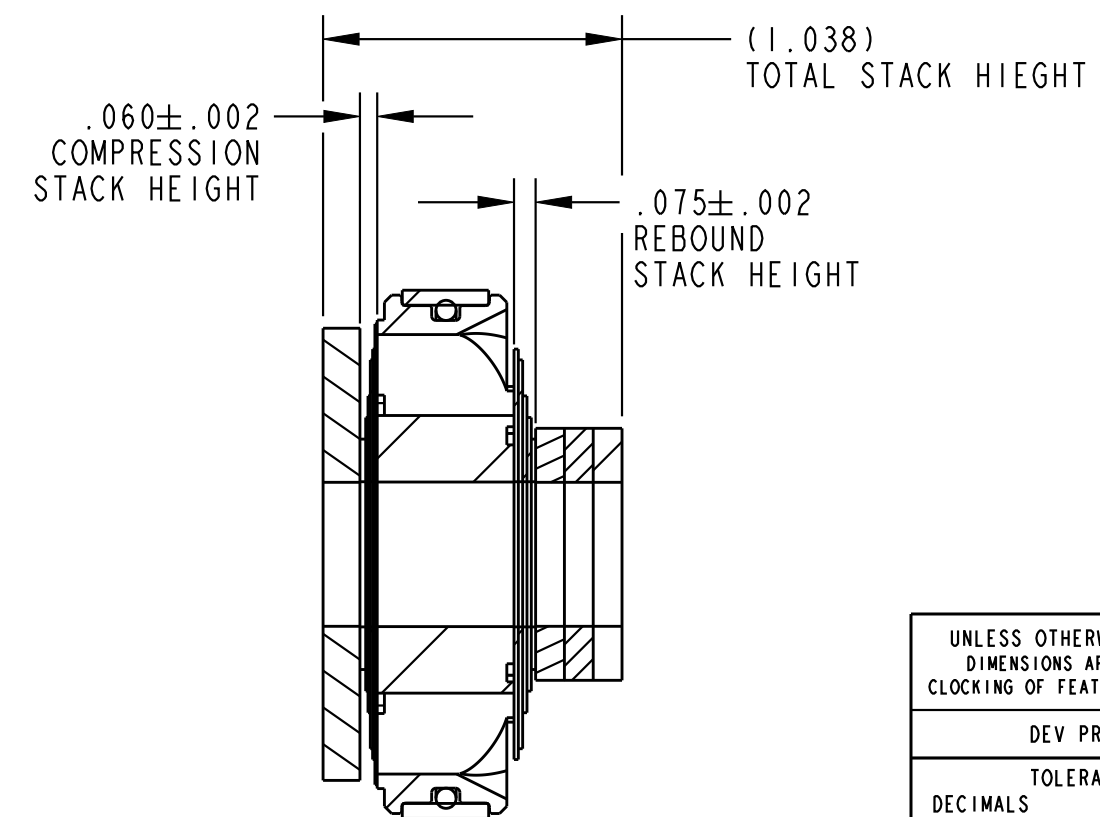
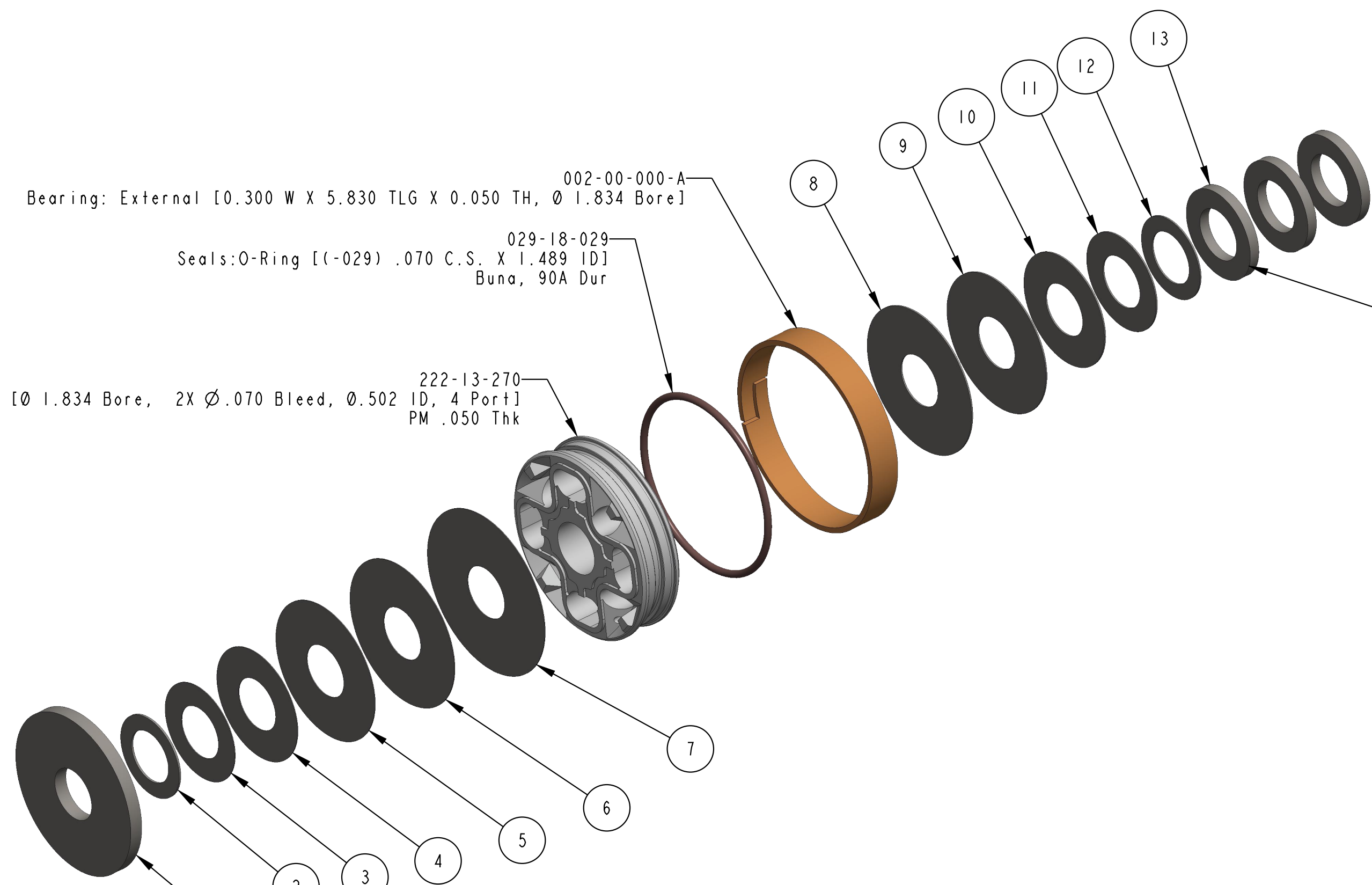
Piston: Damping [Ø 1.834 Bore, 2X Ø.070 Bleed, Ø.502 ID, 4 Port]
 PM .050 Thk

222-13-270

! IMPORTANT:
 SHARP EDGE
 TOWARDS PISTON

COMPRESSION VALVING		
ITEM	FOX PART #	VALVE OD X THK
1	050-00-001-A	1.570 X .128 (TO)
2	041-20-080-A	.800 X .020
3	041-08-095-A	.950 X .008
4	041-08-110-A	1.100 X .008
5	041-08-135-A	1.350 X .008
6	041-08-142-A	1.425 X .008
7	041-08-160-A	1.600 X .008

PISTON POSITION		
REBOUND VALVING		
ITEM	FOX PART #	VALVE OD X THK
8	041-15-142-A	1.425 X .015
9	041-15-135-A	1.350 X .015
10	041-15-110-A	1.100 X .015
11	041-15-095-A	.950 X .015
12	041-15-080-A	.800 X .015
13	050-01-018-A	.875 X .100 (BU)



NOTES:
 1. FIRST APPLICATION: 2.0 FRS 5/8" SHAFT R/R

UNLESS OTHERWISE SPECIFIED: DIMENSIONS ARE IN INCHES (MM) CLOCKING OF FEATURES IS NOT IMPORTANT		PER ASME Y14.5-2018		FOX FOX FACTORY, INC.	
DEV PROJECT #:		APPROVALS		TITLE	
TOLERANCES ARE:		DWN. BY		VALVING ASSEMBLY:	
DECIMALS	ANGLES	B. SMITH		2.0 PERFORMANCE ELITE SERIES,	
.XX [.X] ±.01 [0.25]	± 1°	CHK. BY		TUNED COMBINATION 006	
.XXX [.XX] ±.005 [0.13]		ENG.		SIZE	DWG. NO.
THIRD ANGLE PROJECTION		B. SMITH		C	807-24-006
MFG.		DATE		PLOT SCALE: DO NOT SCALE	
MFG.		10/31/16		SHEET: 1 OF 2	
PROTO / MAKE FROM PN: N/A		QC.			

4

3

2

1

— PROPRIETARY —
THIS DOCUMENT CONTAINS CONFIDENTIAL, PROPRIETARY
INFORMATION THAT IS FOX PROPERTY. DO NOT DISCLOSE TO
OR DUPLICATE FOR OTHERS EXCEPT AS AUTHORIZED BY FOX.

D

D

C

C

B

B

A

A

14	050-01-018-A	.875 X .100 (BU)
15	050-01-018-A	.875 X .100 (BU)

SIZE	DWG. NO.	REV
C	807-24-006	8rev
PLOT SCALE: 1.50:1		SHEET: 2 OF 2

4

3

2

1