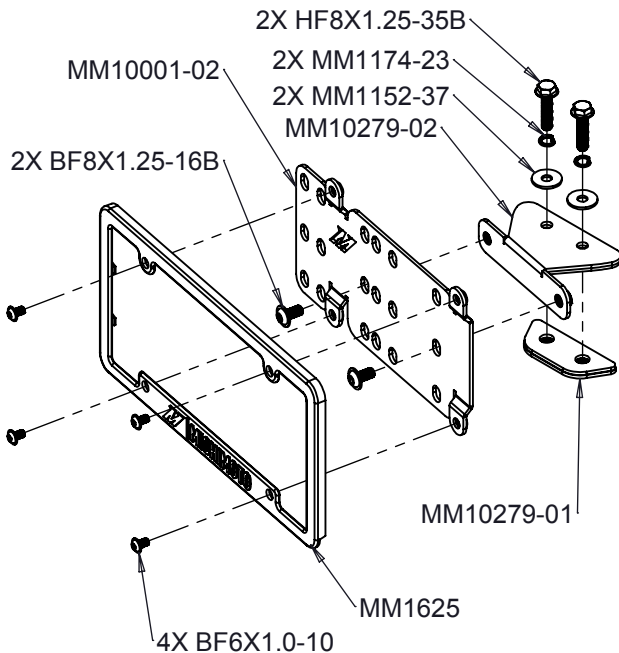




MISHIMOTO



INSTALLATION STEPS:

1. PLACE MM10279-01, WITH THE FOAM FACING UP, INTO THE RECESS ON THE UNDERSIDE OF THE FACTORY PASSENGER SIDE TOW HOOK.
2. PLACE MM10279-02, WITH THE FOAM FACING DOWN, ON TOP OF THE TOW HOOK AND PUT THE 2X HF8X1.25-35B THROUGH THE HOLES IN MM10279-02 WITH THE 2X MM1174-23 AND 2X MM1152-37 AND THREAD INTO THE NUTS ON MM10279-01. TIGHTEN THE BOLTS ENSURING THEY ARE TIGHTENED EVENLY AS THE FOAM WILL COMPRESS.
3. FASTEN MM10001-02 TO MM10279-02 USING THE 2X BF8X1.25-16B.
5. INSTALL THE LICENSE PLATE AND FRAME ONTO MM10001-02 USING 4X BF6X1.0-10.
6. MAKE ANY ADJUSTMENTS NECESSARY TO PLACE THE LICENSE PLATE IN THE DESIRED LOCATION. IF YOU HAVE FRONT PARKING SENSORS, CHECK TO VERIFY THE LOCATION DOES NOT TRIGGER THE PARKING SENSORS AND ADJUST IF NECESSARY.

BILL OF MATERIALS

PART NUMBER	DESCRIPTION	QUANTITY
MM10279-01	BRACKET 1	1
MM10279-02	BRACKET 2	1
MM10001-02	PLATE BRACKET	1
MM1152-37	M8 FLAT WASHER	2
MM1174-23	M8 LOCK WASHER	2
BF8X1.25-16B	M8 BUTTON HEAD FLANGED BOLT	2
BF6X1.0-10	M6 BUTTON HEAD FLANGED BOLT	4
HF8X1.25-35B	M8 HEX HEAD FLANGED BOLT	2
MM1625	PLATE FRAME	1

FOR QUESTIONS OR ASSISTANCE WITH YOUR MISHIMOTO PRODUCT,
CONTACT US AT 1.877.GOMISHI OR SUPPORT@MISHIMOTO.COM