

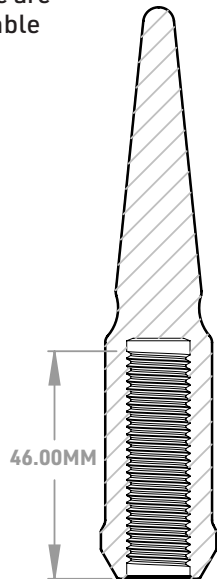
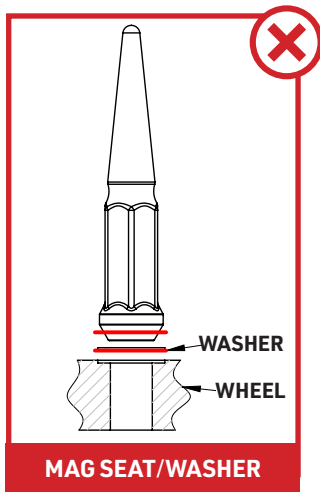
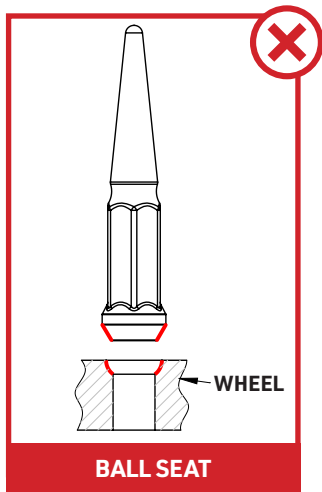
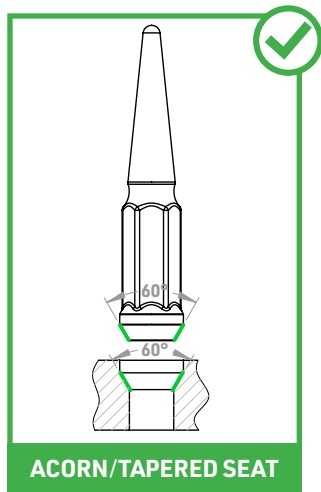


CHECK YOUR WHEEL'S LUG SEAT

SKU: MMLG-SP

Before purchase and installation, measure current wheel nuts (*type, size, length*) and studs to ensure proper fitment.

Vehicle stud length and wheel seat style are critical for proper fitment. Max acceptable stud length: 46.00MM.



Anodized finishes may fade when abrasive or corrosive cleaners are used in addition, the use of power tools may also damage the finish. Mishimoto Automotive will not warrant nuts for fading finishes or damage occurring from tools. For questions or assistance with your Mishimoto product, contact us at 1.877.GoMishi or Support@Mishimoto.com.