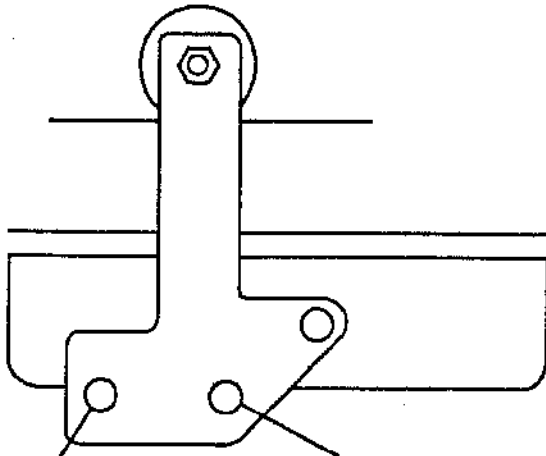


Warning!

GM TH-200, 350, 400, 200-4R
& 700-R4 lever shown.



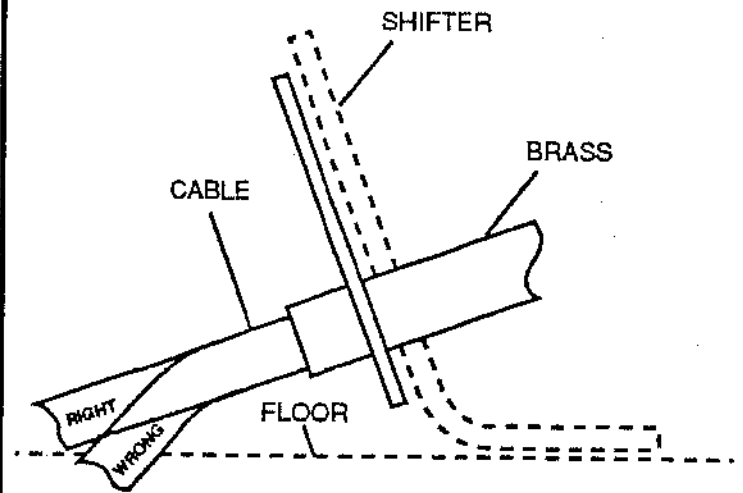
MEGASHIFTER, UNIMATIC,
PRO STICK, SPORT SHIFTER,
HAMMER, QUICKSILVER #80683
W/4-SPD, PRO RATCHET
#80642 W/4-SPD

Z-GATE, STARSHIFTER,
QUICKSILVER #80683 W/3-SPD,
PRO RATCHET #80642 W/3-SPD

INSTALLATION

Note: Be careful. Select the correct hole for your shifter. Wrong hole **will** destroy the cable, shifter and/or transmission in **one** shift! (GM trans. only.)

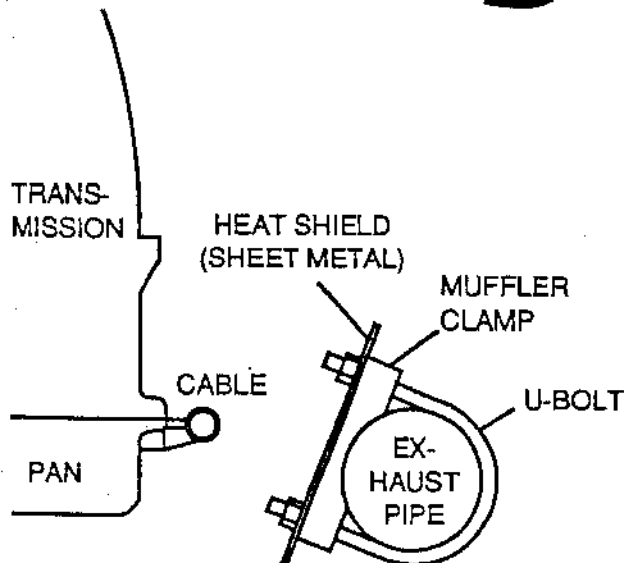
Warning!



DO NOT KINK CABLE

Note: Do not kink cable anywhere along its length. If cable has a kink, it will lock up. Cable should be kept straight for 2 inches on each end where it leaves the brass. Any of the above **will** destroy cable, shifter and/or transmission in **one** shift!

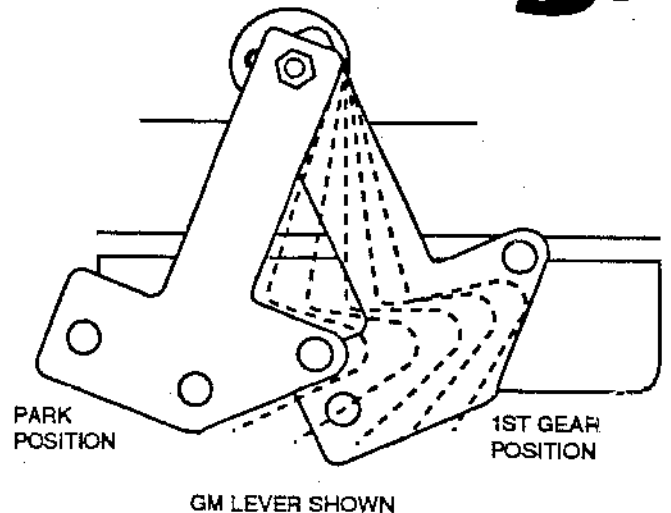
Warning!



MELTED CABLES

Note: If your cable is close to your exhaust it will melt or become brittle. If this is the case, you will need to make a heat shield. **Do not wrap the cable, this retains heat.** Heat **will** destroy the cable!

Warning!



CABLE ADJUSTMENT

Note: If you don't adjust the cable correctly, you **will** destroy the cable, shifter and/or transmission in **one** shift. Put the transmission in low gear and the shifter in low gear, set the swivel so it slides in and out of the correct hole freely (see installation picture). Then move the transmission and shifter to Park (all the way the other way) then rotate the cable swivel until it slips in and out of the hole freely. Now go back and forth between Park and low gear and fine tune the adjustment. See instructions for further details.