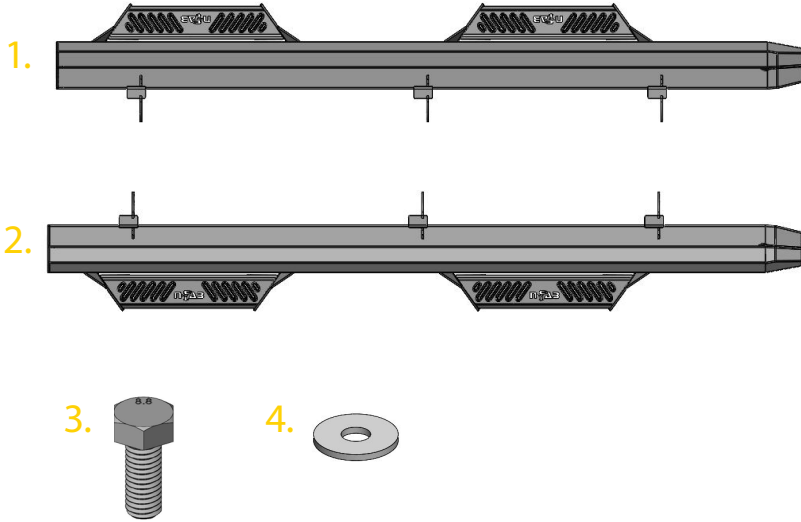


## Components and Hardware: HWKT-12711X



### Components and Hardware:

### Tools for Installation:

- 1. Driver side step.....(1)
- 2. Passenger side step.....(1)
- 3. M8x20mm hex bolt.....(12)
- 4. M8 flat washer.....(12)

- 13mm socket
- Socket wrench
- Short extension



DESERT BORN, ROAD READY.™

PART# PRC1572T-TX  
15-19 TAHOE/YUKON 4DR

PREDATOR PRO STEPS  
INST-02623

## INSTALL

Step 1. Lift (#1) driver side step into place, aligning brackets with OE mounting locations and loosely fasten using (#3)x6 M8x20mm Hex bolt and (#4)x6 M8 flat washer.

Step 2. After final adjustment, fully tighten hardware starting with the bottom mounts and then with the top mounts. (15-20 ft/lbs) of torque.



Step 3. Repeat install process with passenger side step.

 **NOTE: Use caution when mounting step; not to damage AC lines.**

