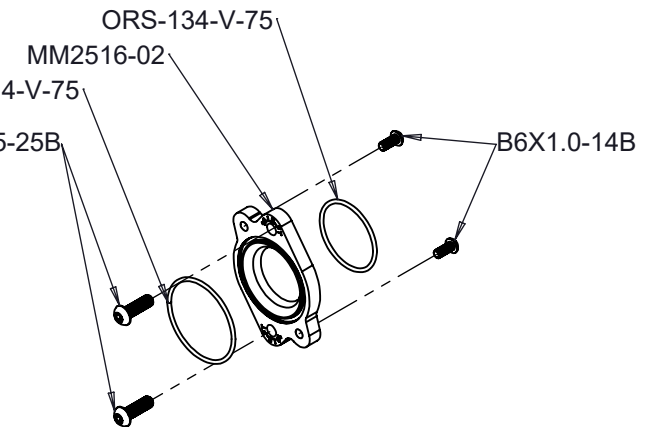
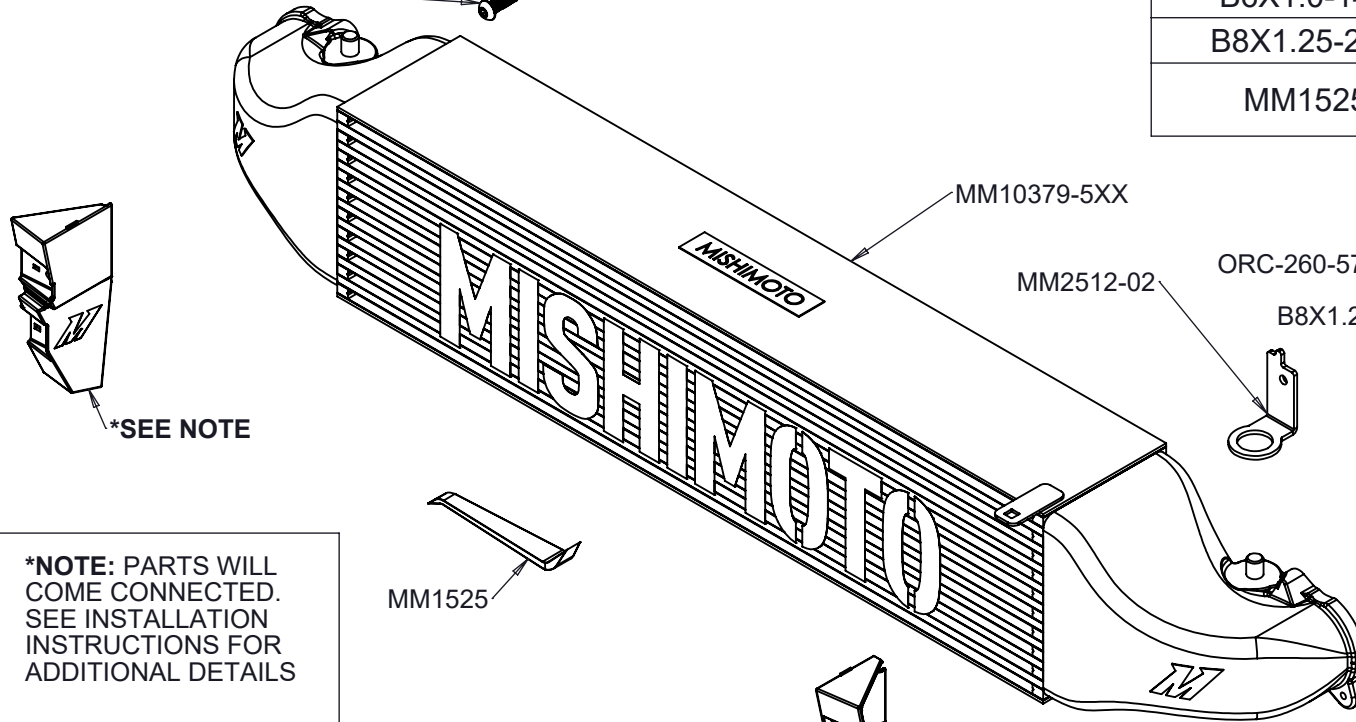
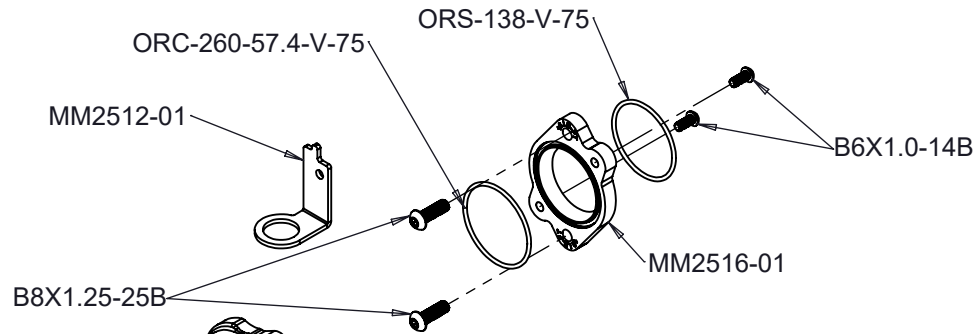


MISHIMOTO

BILL OF MATERIALS

PART NUMBER	DESCRIPTION	QUANTITY
MM10379-5XX	INTERCOOLER	1
MM2512-01	BRACKET 1	1
MM2512-02	BRACKET 2	1
MM2516-01	ADAPTER 1	1
MM2516-02	ADAPTER 2	1
MM10188	DUCTING	1
ORC-260-57.4-V-75	O-RING	2
ORS-134-V-75	O-RING	1
ORS-138-V-75	O-RING	1
B6X1.0-14B	M6 BUTTON HEAD BOLT	4
B8X1.25-25B	M8 BUTTON HEAD BOLT	4
MM1525	BUMPER REMOVAL TOOL	1



*SEE NOTE

***NOTE:** PARTS WILL COME CONNECTED. SEE INSTALLATION INSTRUCTIONS FOR ADDITIONAL DETAILS

MM10188

*SEE NOTE

FOR QUESTIONS OR ASSISTANCE WITH YOUR MISHIMOTO PRODUCT,
CONTACT US AT 1.877.GOMISHI OR SUPPORT@MISHIMOTO.COM