

---

# aFe Control Rear Sway Bar Toyota Tacoma N400

---

**Product Number: 440-72T006RR**

**Install Time: 1 Hr.**



**Recommended Tools:**

Sockets: 17mm

Wrenches: 17mm, 6mm Allen

**Preferable Equipment:**

- 2-Post Lift

**Parts List:**

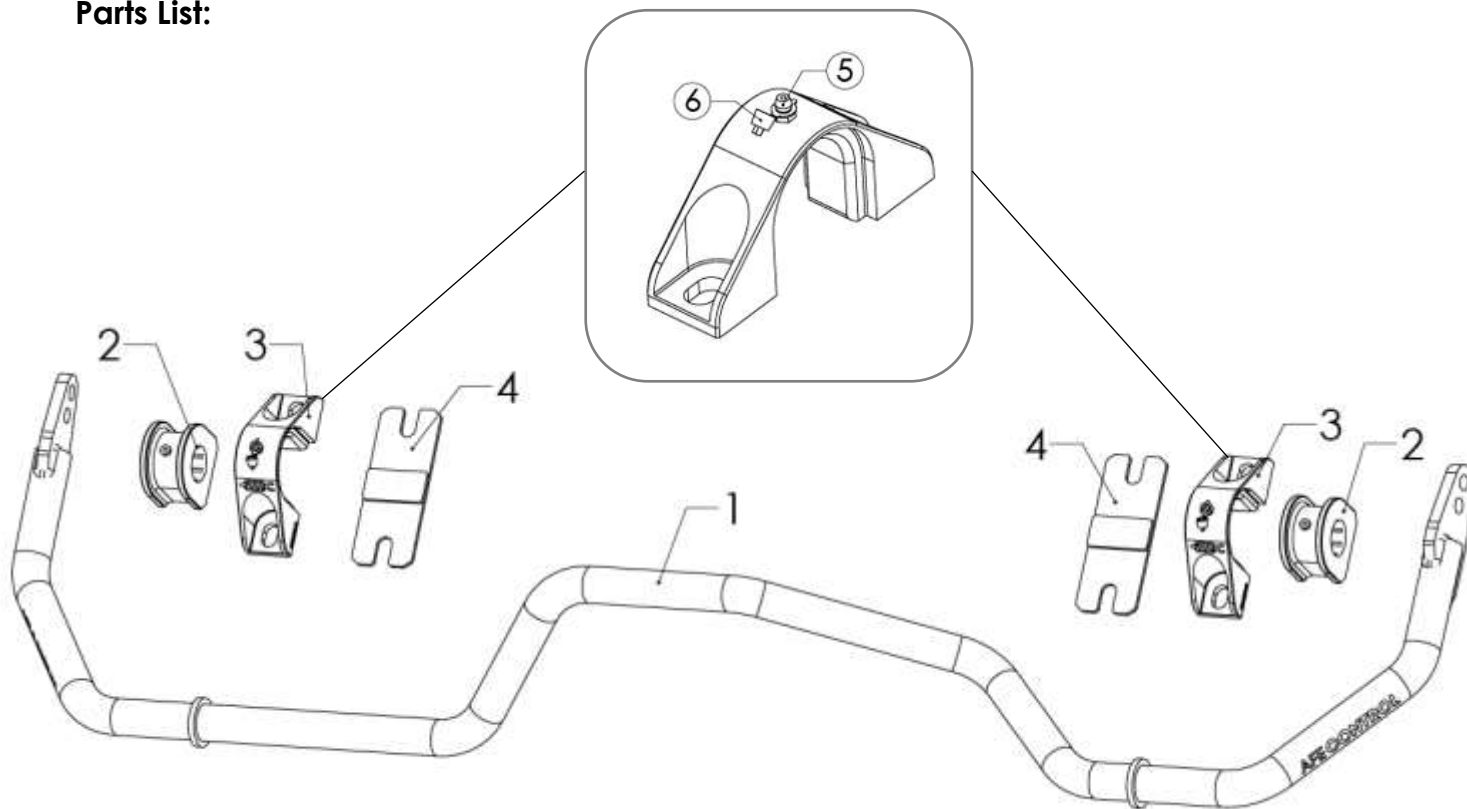


Diagram #	Part No.	Description	Qty.
1	00P-0P2717-R	S/A Sway Bar, Rear: Tacoma N400	1
2	00P-0C1657-B	Bushing, Poly: 1.125" ID, 5353G	2
3	00P-0P2683-B	Bracket, Type 4.5 S/B (Black Anodize)	2
4	00P-0P2659-B	Spacer, Rear Bracket	2
5	00P-0C1175-A	Fitting, Grease: 1/4-28 Self Tap	2
6	00P-0C1698-A	Cap, Grease Fitting	2
Not Shown	00P-0C1007-A	Packet, Grease: Poly Bushing (0.5 oz)	1

## Rear Sway Bar Installation:

- 1R Raise the vehicle with a 2-post lift (preferable), or floor jack. If using a floor jack, place jack stands in the factory designated jack points.



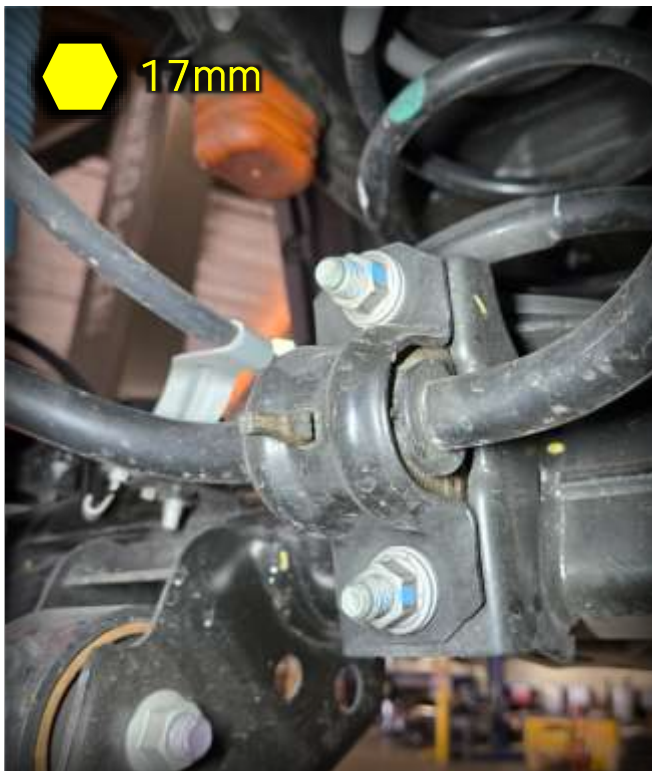
- 2R Remove the rear wheels.



3R Disconnect the end links from the sway bar. Retain this hardware for reinstallation.



4R Unbolt the sway bar bushing mount nuts (4) and remove the sway bar from the vehicle. Retain this hardware for reinstallation.





- 5R Reinstall the aFe CONTROL sway bar in the same manner as removal. **Tip:** Keep the poly bag on the sway bar during installation. This will help prevent scratches when fishing the bar in. Remove bag once positioned.





6R Attach the end link to the bar using the factory nuts and fully tighten. The hole furthest from the end is the stiffest setting. The hole closest to the end is the softest setting. (Shown) **Tip: Add some thread locking compound to the end link stud to ensure long lasting tightness.**



Lube the inside surface of the bushings with the supplied silicon grease. Install the bushings onto the bar. Bushing should be outboard of the centering rings.



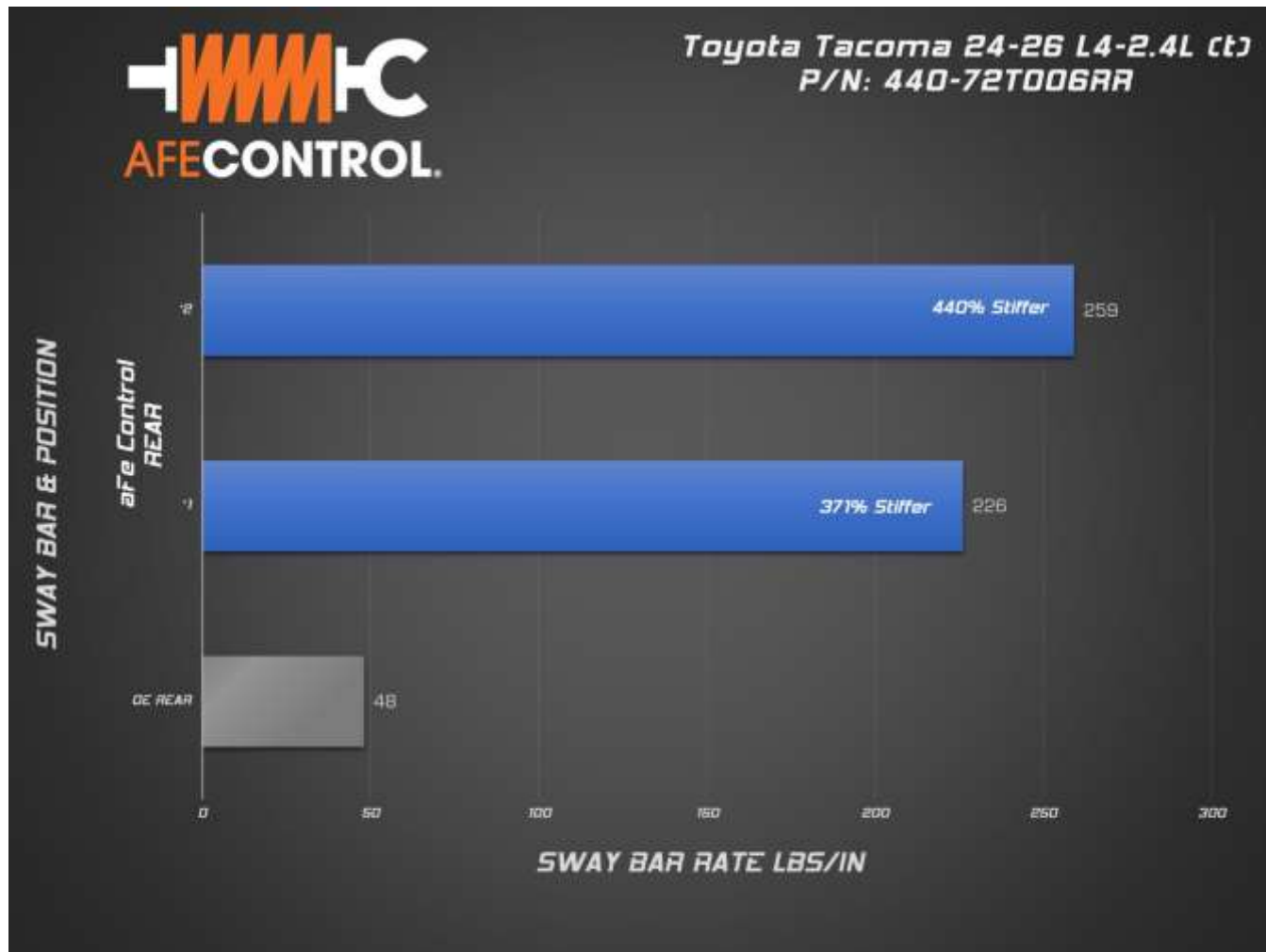
7R Install the included bridge plate onto the bushing bracket studs on the rear end differential. The small metal strip in the center of the plate should face the rear axle. Install the aFe billet bushing brackets onto the bushings and fasten them to the axle using the OE nuts. Torque to spec.



Reinstall wheels and lower vehicle to the ground. You are finished with the installation.



Stiffness Chart and Tuning:



Suggested Settings for Towing, Payload, or Bed Rack with storage:  
Position #2 Hard Stiffness (Hole furthest from the end)

Suggested Settings for empty bed or no towing.  
Position #1 Soft Stiffness (Hole closest to the end)

Left Intentionally Blank



advanced FLOW engineering, inc.

