



# Installation Instructions

For Part Numbers:

352-388 702-462 SynthaMax Dry Media Filter - Black

2011-18 DODGE Challenger SRT8

2012-18 DODGE Charger SRT8

2012-15 CHRYSLER 300 SRT8

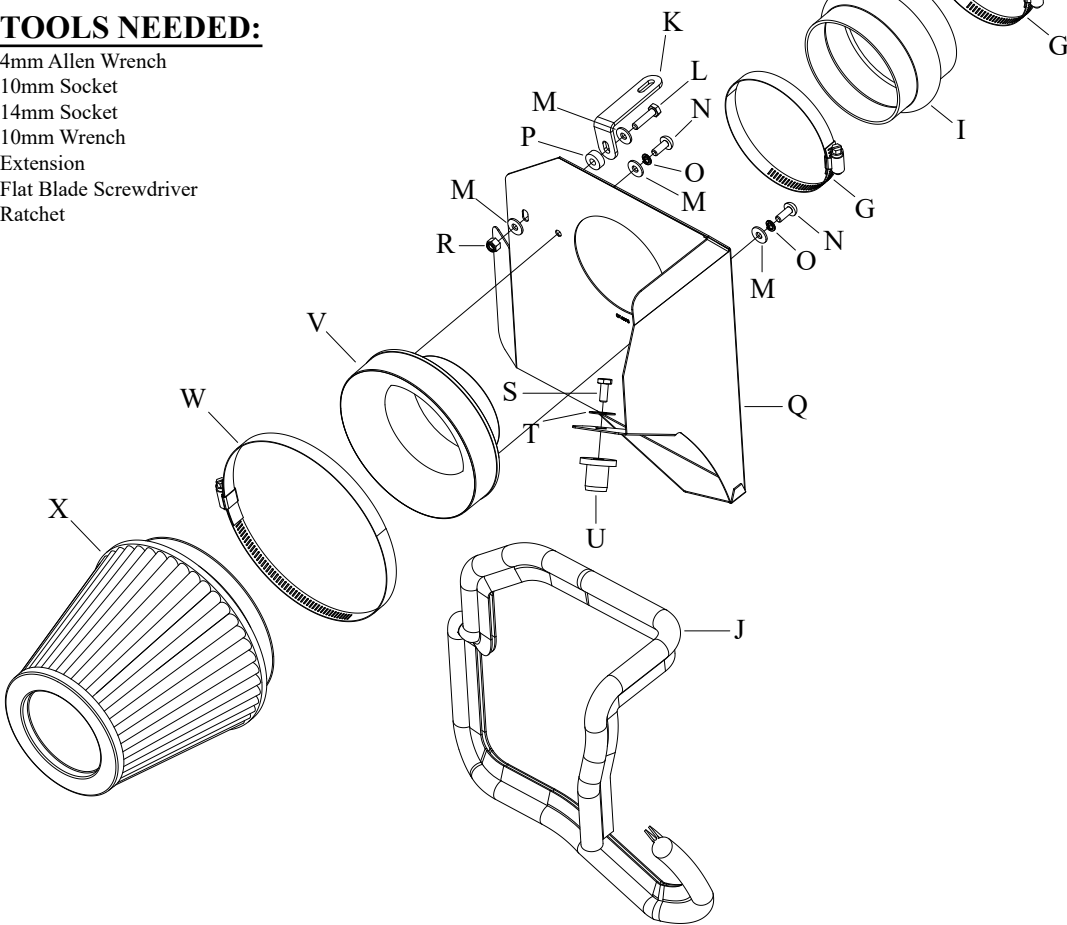
V8-6.4L

NOT LEGAL FOR SALE OR USE ON ANY POLLUTION CONTROLLED MOTOR VEHICLE IN CALIFORNIA OR STATES ADOPTING CALIFORNIA EMISSION PROCEDURES.

See Airaid.com for CARB status on each part for a specific vehicle

## TOOLS NEEDED:

4mm Allen Wrench  
10mm Socket  
14mm Socket  
10mm Wrench  
Extension  
Flat Blade Screwdriver  
Ratchet



## Component Identification

Description	Qty.	Part #
A HOSE; 3/4"ID X 6"L, BLACK	1	5-4006
B HOSE MENDER; 1/2" TO 3/4"	1	8-146
C HOSE; 1/2" ID X 12" L	1	087031
D VENT; 90DEG, 1/2" HOSE	1	08110FK
E HOSE CLAMP #56	1	08620
F HOSE; 4"ID TO 3.5"ID X 3"L	1	08497
G HOSE CLAMP # 64	3	08645
H INTAKE TUBE	1	KIT27541TK
I HOSE; 4"ID X 3"L HUMP	1	08418
J EDGE TRIM (48")	1	102485
K BRACKET; 57-3017, "L"	1	070742
L BOLT; M6-1.00 X 25MM, SS	1	07858
M WASHER; 6MM FLAT, SS	4	08269
N BOLT; M6 X 1.00 X 16MM, SS	2	07730
O WASHER; M6 SPLIT LOCK	2	1-3025
P SPACER, .625" OD X .250"ID	1	06555
Q HEAT SHIELD	1	074098
R NUT; 6MM NYLOCK, SS	1	07512
S BOLT; 3/8" -16 X 1-1/4"L SS	1	07779
T WASHER; 3/8" FLAT, SS	1	08134
U INSERT; 3/8-16 X 3/400	1	08163
V ADAPTOR; 57-3058 # 454	1	27300
W HOSE CLAMP #104	1	08697
X AIR FILTER	1	702-462

Full color instructions can be viewed on our web site at Airaid.com. If you need any assistance please call 1-800-498-6951 to speak with a representative in our Customer Service Center before returning the product.

## TO START:

1. Turn off the ignition and disconnect the negative battery cable.

**NOTE: Disconnecting the negative battery cable erases pre-programmed electronic memories. Write down all memory settings before disconnecting the negative battery cable. Some radios will require an anti-theft code to be entered after the battery is reconnected. The anti-theft code is typically supplied with your owner's manual. In the event your vehicles anti-theft code cannot be recovered, contact an authorized dealership to obtain your vehicles anti-theft code.**



2. Disconnect the inlet air temperature air sensor electrical connection.



3. Lift up and remove the driver side ignition coil cover as shown.



4. Disconnect the crank case vent hose from the valve cover.



5. Loosen the hose clamp securing the intake tube to the throttle body.



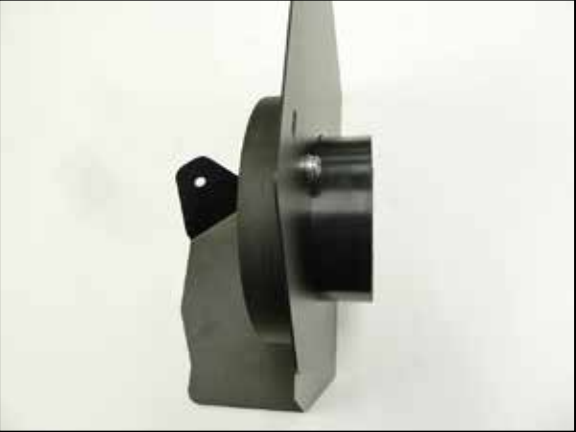
6. Remove the bolt which secures the air box to the core support.

## Continued...

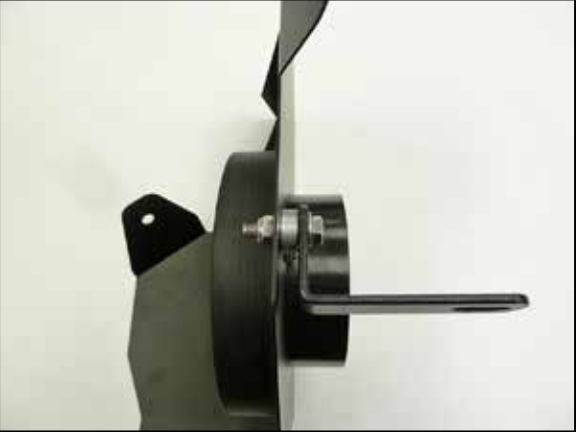


7. Lift up and remove the complete intake track from the vehicle.

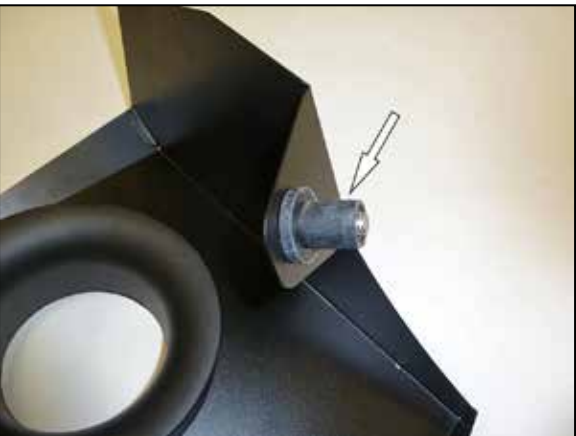
**NOTE: AIRAID recommends that customers do not discard factory air intake.**



8. Install the filter adapter into the heat shield and secure with the provided hardware.



9. Install the provided heat shield mounting bracket (070742) along with the spacer onto the heat shield as shown.



10. Install the provided inserted nut onto the heat shield as shown and secure with the provided hardware.



11. Install the provided edge trim onto the heat shield as shown.

**NOTE: Some trimming of the edge trim will be necessary.**



12. Install the provided hump hose (08418) onto the filter adapter and secure with the provided hose clamp.



13. Set the heat shield assembly into position in the engine bay so the inserted nut passes into the air box mounting hole in the inner fender. Do not secure the heat shield at this time.



14. Install the step hose (08050) onto the throttle body and secure with the provided hose clamp.



15. Install the provided 90° vent fitting into the AIRAID® intake tube as shown.



16. Remove the inlet air temperature sensor from the factory intake tube as shown.



17. Install the inlet air temperature sensor into the AIRAID® intake tube as shown.



18. Install the AIRAID® intake tube into the silicone hump hose and then into the into the silicone step hose at the throttle body. Align the intake tube and heat shield for proper fit and then secure the intake tube with the provided hose clamps and the heat shield bracket with the factory air box retaining bolt removed in an earlier step.



19. Cut the provided ½" silicone vent hose to a length of 9" long, and cut the 5/8" vent line to a length of 2.5" long.



20. Assemble the two vent lines together using the provided hose mender.



21. Install the assembled vent hose onto the fitting installed in the AIRAID® intake tube and then attach the open end to the valve cover port.

## Continued...



22. Reconnect the inlet air temperature sensor electrical connection.



23. Reinstall the coil cover.



24. Install the AIRAID® air filter and secure with the provided hose clamp.



**25. Double check your work!**

Make sure there is no foreign material in the intake path. Make sure all clamps, hoses, bolts, and screws are tight. Double check the hood clearance!

**Reconnect the negative battery cable!**

Thank you for purchasing the Airaid Intake System. Contact Airaid @ (800) 498-6951 8:00 AM - 5:00 PM MST weekdays for questions regarding fit or instructions that are not clear to you. Your Airaid Intake System was carefully inspected and packaged. Check that no parts are missing, or were damaged during shipping. If any parts are missing, contact Airaid. The air filter element is protected from direct exposure to water and debris; care should be taken not to drive through deep water.

**WATER INGESTION IS THE DRIVERS RESPONSIBILITY!** The air filter is reusable and should be cleaned periodically.

### FILTER IDENTIFICATION

702-462 Airaid SynthaMax Dry Media - Black

For your Oiled media filter we offer the Airaid Tune Up Kit!



P/N 790-551 Aerosol Spray  
P/N 790-550 Squeeze Spray



**NOT LEGAL FOR SALE OR USE ON ANY POLLUTION CONTROLLED MOTOR VEHICLE IN CALIFORNIA OR STATES ADOPTING CALIFORNIA EMISSION PROCEDURES.**

See Airaid.com for CARB status on each part for a specific vehicle



Synthamax Air Filters **do not** require oil. Service air filter as needed by cleaning with common non-petroleum all-purpose household cleaner and water. Simple Green®, Formula 409® or equivalent works great. Apply cleaner to outside of air filter and allow to soak. Then flush filter clean from the inside out with a garden hose and repeat steps if necessary. Do not apply high pressure water or air to clean filter. Allow filter to air dry and reinstall.